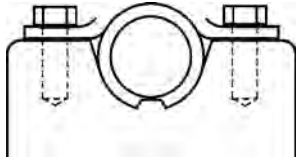


Vehicle Type	Driveshaft Series	Spicer® Service Kit (Greaseable unless noted)	Spicer Life® OE Kit (Greaseable)	Spicer Life® OE Kit (Non-Greaseable)	
Light & Medium Vehicles	1210	5-443X	-	-	
	1310	5-153X	5-1310-1X**	5-1310X	
	1310 aluminum	-	-	5-3613X†	
	1310/7260*	-	-	5-788X	
	1310 (Wheel Joint)	-	-	5-760X	
	1310SPEC	5-1201X	-	5-7439X	
	1330	5-213X	5-1330-1X**	5-1330X	
	1330 aluminum	-	-	5-3614X†	
	1330SPEC	5-1204X	-	5-7438X	
	1330/S44*	5-212X	-	5-793X	
	1330/7290*	-	-	5-7437X	
	1350	5-178X	5-1350-1X**	5-1350X	
	1350 (Wheel Joint)*	-	-	5-7166X	
	1350/SPL30 aluminum	-	-	5-3615X†	
	1350 x S44*	5-3205X	-	-	
	1355 AAM*	5-3208X ***	-	-	
	1410	5-160X	5-1410-1X**	5-1410X	
	1410 aluminum	-	-	5-3616X†	
	1415 AAM*	5-3207X***	-	-	
	1480/SPL55	5-188X	SPL55-1X	SPL55X	
	1480/SPL55 (Wheel Joint)*	-	SPL55-4X	SPL55-3X	
	1485 AAM*	5-3206X***	-	-	
	1485 AAM (Wheel Joint)*	-	-	5006813	
	1550/SPL70	5-155X	SPL70-1X	SPL70X	
	SPL70 (Wheel Joint)*	-	SPL70-4X	-	
	7260*	5-1306X	-	5-789X	
	7290*	5-1309X	-	5-811X	
	S44*	5-3147X	-	5-795X	
	Commercial Vehicles	SPL90/SPL100	-	SPL100-1X	-
		SPL140	-	SPL140X	-
SPL170		-	SPL170-4X	SPL170-SF4X	
SPL250		-	SPL250-3X	SPL250-SF3X	
SPL350		-	SPL350X	SPL350SFX	
1610 (Full Round)		5-279X	-	-	
1610 (Half Round)		5-674X	-	-	
1650		5-165X	-	-	
1710 (Full Round)		5-280X	-	-	
1710 (Half Round)		5-675X	-	-	
1760 (Full Round)		5-407X	-	-	
1760 (Half Round)		5-677X	-	-	
1800 (Full Round)		5-124X	-	-	
1810 (Full Round)		5-281X	-	-	
1810 (Half Round)		5-676X	-	-	
1880 (Full Round)		5-308X	-	-	

* Wheel joint or non-Spicer series - will not be on yoke ruler. Identify u-joint kit using Spicer K-350 Catalog. ** Zerk in Cap ***Non-Greaseable
† Used in aluminum driveshafts. U-joint has coated caps.

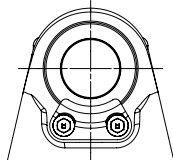
BEARING STRAP



WARNING: Always replace all attaching hardware.

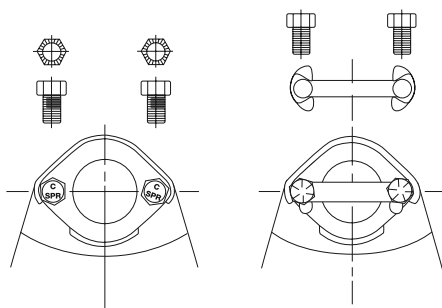
Series	Strap Kit Assy	Attaching Bolt Part #	Recommended Bolt Torque (Lb.Ft.)	Recommended Bolt Torque (NM)
1210	2-70-18X	231401	15	20
1310/SPL22	2-70-18X	231401	15	20
1330/SPL25	2-70-18X	231401	15	20
3R/S44	2-70-48X	Not Sold Separate	30-35	41-47
7290	2-70-58X	Not Sold Separate	13-18	18-24
7260	2-70-68X	Not Sold Separate	13-18	18-24
1350/SPL30	3-70-28X	231142	32	43
1350SPEC**	3-70-48X	231402	25-30	34-41
1410/SPL36	3-70-28X	231142	32	43
1350/1410 (GM)	3-70-58X	Not Sold Separate	30-35	41-47
1485 (GM)	3-70-68X	Not Sold Separate	30-35	41-47
1480/SPL55	3-70-38X	6-73-412	52	70
1550/SPL70	3-70-38X	6-73-412	52	70
SPL90	90-70-28X	6-73-412	52	70
1610	5-70-28X	6-73-412	52	70
1710	6.5-70-18X	8-73-316	125	170
1710	212214X†	8-73-316	125	170
1760	6.5-70-18X	8-73-316	125	170
1760	212214X†	8-73-316	125	170
1810	6.5-70-18X	8-73-316	125	170
1810	212214X†	8-73-316	125	170
SPL140	140-70-18X	5007417	115	156
SPL170	170-70-18X	5007417	115	156
SPL250	250-70-18X	5007417	115	156
SPL350	350-70-18X	5019836	188	255

SPL SPRING TAB



Series	Spring Tab Kit	Attaching Bolt Part #	Recommended Bolt Torque (Lb.Ft.)	Recommended Bolt Torque (NM)
SPL140	211941X	8-73-114M	28	38
SPL170	211941X	8-73-114M	28	38
SPL250	211941X	8-73-114M	28	38

BEARING PLATE



Series	Bolt Part #	Lockstrap Part #	Recommended Bolt Torque (Lb.Ft.)	Recommended Bolt Torque (NM)
1610	5-73-709*	N.A.	30	41
1710	6-73-209*	N.A.	43	58
1760	6-73-209*	N.A.	43	58
1810	6-73-209*	N.A.	43	58
1880	7-73-315*	N.A.	65	88
1610	5-73-109	98-741	20	27
1710	6-73-109	230323	36	27
1760	6-73-109	230323	36	27
1800	6-73-109	98-743	36	27
1810	6-73-109	230323	36	27
1880	7-73-115	231009	58	79

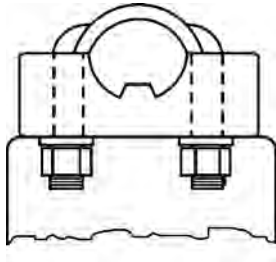
* Bolts contain serrations under bolt head with lock patch on threads

** Strap kit 1350 series "Special" for Corvette with metric bolts (3-70-48X (torque 25 -30 Lbs Ft / 34-41 Nm) also fits some Dodge Viper

† Kit has "cast retainer" style strap

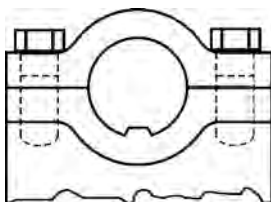
‡ For reference only; these driveline series are not serviced by Dana Aftermarket Group

U-BOLT



Series	U-Bolt Assy	Recommended Bolt Torque (Lb.Ft.)	Recommended Bolt Torque (NM)
1310/SPL22	2-94-28X	14-17	19-23
1330/SPL25	2-94-28X	14-17	19-23
1350/SPL30	3-94-18X	20-24	17-33
1410/SPL36	3-94-18X	20-24	17-33
1480/SPL55	3-94-28X	32-37	43-50
1550/SPL70	3-94-28X	32-37	43-50

CAP AND BOLT



Series	Cap and Bolt Assy	Recommended Bolt Torque (Lb.Ft.)	Recommended Bolt Torque (NM)
1650‡	5-70-18X	77-103	104-140
1850‡	8-70-18X	110-147	149-199
1850‡	8-70-18X	110-147	149-199
1910‡	Not Sold Separate	110-147	149-199
1950‡	9-70-18X	271-362	367-491
2010‡	Not Sold Separate	102-118	138-160
2050‡	9-70-28X	744-844	1009-1144
2110‡	Not Sold Separate	171-197	232-267
2150‡	9-70-38X	744-844	1008-1144
2210‡	Not Sold Separate	260-298	253-404

* Bolts contain serrations under bolt head with lock patch on threads

** Strap kit 1350 series "Special" for Corvette with metric bolts (3-70-48X (torque 25 -30 Lbs Ft / 34-41 Nm) also fits some Dodge Viper

† Kit has "cast retainer" style strap

‡ For reference only; these driveline series are not serviced by Dana Aftermarket Group

Universal Joint Kit Method of Retention and Hardware Kit Part Numbers

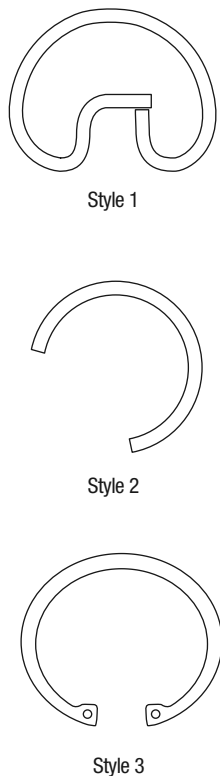


LUBE FITTINGS



Style	Thread Size	Hex	Overall Length	Spicer Part #	Notes
1	0.125-27NPT	0.438	0.660	500168-2	
1	0.250-28	0.312	0.540	500174-1	
1	0.250-28	0.312	0.680	500174-2	
2	0.250-28	0.312	0.406	231209	
2	#10-32		0.344	230977	Installs w/ screwdriver
3	0.125-27NPTF	0.500	0.843	232830	Use pliers to tighten
3	0.250-28	0.312	0.406	500175-2	65° fitting
3	M6X1	0.276	0.355	5001182	Thread forming thread
1	M8X1-6h	0.433	1.014	052133703	45° fitting
1	M10X1-6h	0.433	2.315	052242703	
3	M10X1-6h	0.433	0.886	052261703	
1	M6X1-6h	0.276	0.532	052702703	
1	M8X1-6h	0.354	0.669	052703703	
1	M10X1-6h	0.433	0.610	052728703	
1	M6X1-6h	0.433	1.024	052802703	45° fitting
1	M10X1-6h	0.433	1.024	052819703	45° fitting
2	M8X1-6h	0.157	0.315	815060005	Hex socket plug
1	M10X1-6h	0.433	0.799	816300008	90° fitting

SNAP RINGS



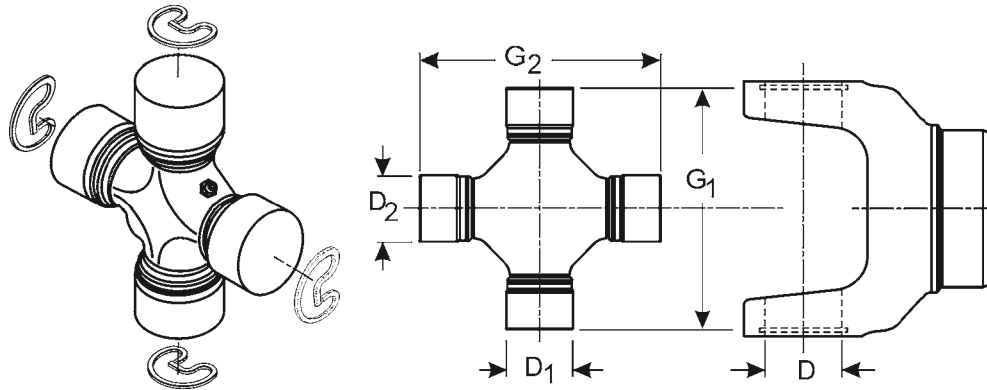
Style	Fits Bearing Diameter	Thick (+ or - 0.0005)	Color	Spicer Part #	Notes
1	0.938	0.058	NONE	1-7-29	
1	1.062	0.055	GREEN	2-7-469	
1	1.062	0.057	PURPLE	2-7-329†	
1	1.062	0.058	NONE	2-7-4	
1	1.062	0.059	COPPER	2-7-29	
1	1.062	0.060	SILVER	2-7-49	
1	1.062	0.063	YELLOW	2-7-449	
1	1.062	0.065	BLUE	2-7-459	
1	1.188	0.058	NONE	3-7-39	
1	1.188	0.059	BLACK	3-7-229	Coated for use in aluminum yokes
1	1.188	0.059	COPPER	3-7-4	
1	1.188	0.061	WHITE	3-7-49	
1	1.188	0.064	PINK	5011183	
1	1.375	0.058	NONE	3-7-89	
1	1.375	0.060	COPPER	3-7-109	
1	1.375	0.062	YELLOW	4-7-69	
2	0.938	0.058	NONE	10-7-29	
2	1.062	0.058	NONE	2-7-99	Spec for use w/ wheel jt.
2	1.062	0.060	NONE	2-7-299	
2	1.102	0.060	COPPER	2-7-369	
2	1.188	0.058	NONE	3-7-99	
2	1.375	0.060	NONE	3-7-129	
3	2.559	0.108	NONE	350-7-10018754	
1	1.623	0.094	COPPER	5-7-29-3	
1	1.623	0.095	SILVER	5-7-29-4	

† Part is available until supply is exhausted



Conversion Kit Number	Series Joined	Converts Yokes Using Kit Number	Greasable	Page Number
			Y=Yes N=No	
5-134X	Spicer 1310 to Spicer 1330	5-153X and 5-213X	Y	262
5-186X*	Spicer 1850 to Mechanics 9C (HWD)	5-85X and 5-9111X	Y	271
5-187X*	Spicer 1850 to Mechanics 9C(HWT)	5-182X and 5-9122X	Y	271
5-212X	Mechanics S44 to Spicer 1330/Cleveland S55	5-3147X and 5-1203X	Y	270
5-220X*	Spicer 1550 to Mechanics 6C (LWT)	5-155X and 5-6144X	Y	271
5-221X*	Spicer 1550 to Mechanics 6BL	5-155X and 5-6006X	Y	271
5-248X	Spicer 1110 to Mechanics 2CL	5-111X and 5-2173X	Y	269
5-291X	Spicer 1310 to Mechanics 2C (LWT)	5-153X and 5-2002X	Y	271
5-324X	Spicer 1810 to Mechanics 9C (HWD)	5-281X and 5-9111X	Y	279
5-326X	Spicer 1880 to Mechanics 9C (HWD)	5-328X and 5-9111X	Y	279
5-327X	Spicer 1880 to Mechanics 9C (HWT)	5-328X and 5-9122X	Y	279
5-328X	Spicer 1550 to Rockwell 58WB (HWD)	5-155X and 5-5800X	Y	271
5-329X*	Spicer 1550 to Rockwell 58WB (LWT)	5-155X and 5-5801X	Y	271
5-330X	Spicer 1650 to Mechanics 7C (HWD)	5-165X and 5-7111X	Y	271
5-331X*	Spicer 1650 to Mechanics 7C (LWT)	5-165X and 5-7000X	Y	271
5-345X	Spicer 1410 to Mechanics 4C (HWD)	5-160X and 5-4111X	Y	271
5-346X*	Spicer 1410 to Mechanics 4C (LWT)	5-160X and 5-4144X	Y	271
5-347X*	Spicer 1480 to Mechanics 5C (HWD)	5-188X and 5-5111X	Y	271
5-348X*	Spicer 1480 to Mechanics 5C (HWT)	5-188X and 5-5000X	Y	271
5-353X*	Spicer 1310 to Detroit 7260	5-153X and 5-1306X	Y	269
5-354X*	Spicer 1310 to Detroit 7290	5-153X and 5-1309X	Y	270
5-355X*	Spicer 1310 to Detroit 7290	5-1203X and 5-1309X	Y	
5-356X*	Spicer 1310 to Mechanics 3CL (LWT)	5-153X and 5-3144X	Y	271
5-357X	Spicer 1410 to Chrysler 5380	5-1206X and 5-1301X	Y	270
5-430X	Spicer 1000 to Rockwell L6N	5-170X and 5-92X	Y	266
5-460X	Spicer 1310 to Spicer 1350	5-153X and 5-178X	Y	262
5-527X*	Chrysler/Detroit 7260 to Chrysler/Detroit 7290	5-1306X and 5-1309X	Y	266
5-541X*	Saginaw S44 to Spicer 1330/Cleveland S55	5-3147X and 5-1203X	Y	269
5-544X*	Spicer 1310 to Saginaw S44	5-153X and 5-3147X	N	
5-648X	Spicer 1330 to Spicer 1350	5-213X and 5-178X	Y	264
5-1312X*	Saginaw S44 to Cleveland P55-55-675	5-3147X and 5-1204X	Y	270
5-1313X*	Spicer 1350 to Cleveland P55-55-675	5-178X and 5-1204X	Y	264, 270
5-3022X*	Spicer 1310 to Saginaw S44	5-153X and 5-3147X	Y	269
5-3163X*	Chrysler/Detroit 7260 to and Saginaw S44	5-1309X and 5-3147X	N	268
5-7437X	Spicer 1330 to Detroit 7290	5-213X and 5-1309X	N	270
5-599X*	Spicer 1330 to Detroit 7260	5-213X and 5-1306X	N	269
5-7436X	Spicer 1330 to Detroit 7260	5-213X and 5-1306X	N	269
5-3248X	Spicer 1350 to Spicer Cleveland P55-55-675	5-178X and 5-1204X	N	264
5-3222X	Spicer 1310 to Detroit 7290	5-153X and 5-1309X	Y	270
5-3249X	Spicer 1310 to Spicer 1310WJ	5-153X and 5-260X	Y	269
5-3255X	Cleveland P55-55-675 to Saginaw S44	5-1204X and 5-3147X	Y	270
5-3246X	Spicer 1330 to Detroit 7260	5-213X and 5-1306X	Y	269
5-796X*	Spicer 1330 to Detroit 7290	5-213X and 5-1309X	N	270
6C-5X	Spicer 1550 to Mechanics 6C (LWT)	5-155X and 5-6144X	Y	271
6C-3X	Spicer 1550 to Mechanics 6BL	5-155X and 5-6006X	Y	271
5-3022-1X	Spicer 1310 to Saginaw S44	5-153X and 5-3147X	Y	269
5C-3X	Spicer 1480 to Mechanics 5C/5BL	5-188X and 5-5111X	Y	271
5C-5X	Spicer 1480 to Mechanics 5C/5BL	5-188X and 5-5000X	Y	271
5-788X	Spicer 1310 to Detroit 7260	5-153X and 5-1306X	Y	269
5-3244X	Chrysler/Detroit 7260 to Chrysler/Detroit 7290	5-1306X and 5-1309X	Y	266
5-621X	Spicer 1330/Cleveland S55 and Saginaw S44	5-1203X and 5-3147X	Y	269
5-3247X	Spicer 1310 to Mechanics 2.5R	5-153X and 5-3219-1X	Y	269
15-134X	Spicer 1310 to Spicer 1330	5-153X and 5-213X	Y	262
15-324X	Spicer 1810 to Mechanics 9C (HWD)	5-281X and 5-9111X	Y	279
15-353X	Spicer 1310 to Detroit 7260	5-153X and 5-1306X	Y	269
5-2140X	Spicer 1310 to Mechanics 2R	5-153X and 5-2011X	Y	269
5-3205X	Spicer 1350 to Saginaw S44	5-178X and 5-3147X	Y	270
5-3227X	Spicer 1330 to Detroit 7290	5-213X and 5-1309X	Y	270
5-450X	Spicer 1610 to Bradley WB	5-279X and Bradley WB	Y	279
5-642X	Spicer 1880 to Mechanics 9C (HWD)	5-308X and 5-9111X	Y	279
5-793X	Spicer 1330 to Saginaw S44	5-213X and 5-3147X	Y	270
5003097*	Spicer 1310 to Saginaw S44	5-153X and 5-3147X	N	269

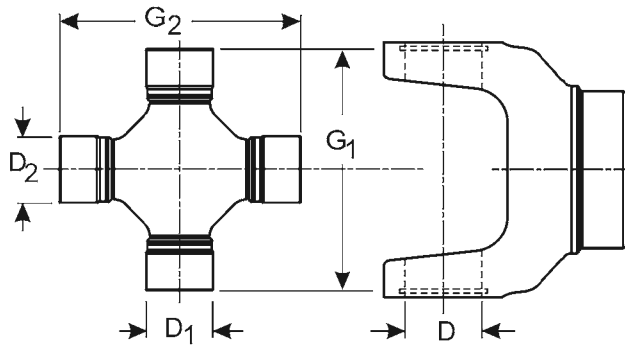
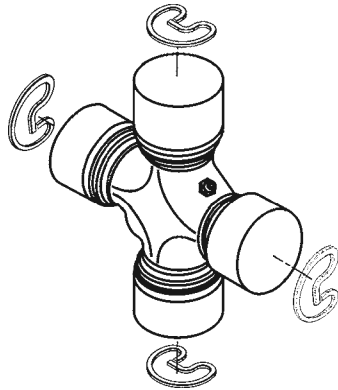
* Part has been discontinued



OUTSIDE SNAP RING (OSR) STYLE

G1 Over Caps	D1 Inside Bearing Cap Diameter	G2 Over Caps	D2 Outside Bearing Cap Diameter	OE Manufacturer	OE Series	Converts		Greaseable Y=Yes N=No	Spicer Part #	Notes
						From This Series	To This Series Part			
1.732	0.811	1.732	0.811	Spicer Italcardano	44-B			N	050576000	
1.850	0.732	1.850	0.732	Spicer Italcardano	47-B			Y	050560000	45° Zerk is located in center of cross
1.909	0.748	1.909	0.748		0400SG			N	5-3256X	
2.046	0.750	2.046	0.750	Spicer Italcardano	U-30			Y	050910000	90° Zerk is located in center of cross
2.126	0.866	2.126	0.866	Bondioli Pavesi	Series 1			Y	5-3200X	
2.165	0.787	2.165	0.787		Kubota			Y	5-3258-1X	
2.165	0.866	2.165	0.866	Walterscheid	2100			Y	040116*	040116 was replaced by 5-3233X
2.150	0.866	2.150	0.866	Walterscheid	2100			Y	5-3233X	
2.409	0.938	2.409	0.938	Spicer	1100-SG			Y	5-102X*	
2.411	0.938	2.411	0.938	Spicer Italcardano	61-B or 1100			Y	050701000	
2.411	0.938	2.411	0.938	Spicer	1100			Y	5-111X*	5-111X was replaced by 5-101X
2.411	0.938	2.411	0.938	Spicer	1100			N	5-101X	
2.438	1.062	2.438	1.062	Spicer	1210			N	5-526X*	5-526X was replaced by 5-443X; has metal back seals
2.438	1.062	2.438	1.062	Spicer	1210			N	5-547X*	5-547X was replaced by 5-443X; has spacer in bearing cap; has metal back seals
2.438	1.062	2.438	1.062	Spicer	1210			Y	5-443X	Lube fitting in bearing cap
2.438	1.062	2.438	1.062	Spicer	1210			Y	5-554X*	Lube fitting in bearing cap; has metal back seals
2.438	1.062	2.438	1.062	Spicer	1210			N	5-736X*	
2.456	1.062	2.456	1.062	Spicer	1210WJ			N	5-3215X	
2.498	0.984	2.498	0.984	Dodge Colt	Dodge			Y	5-1503X	
2.648	1.063	2.648	1.063		Saturn			Y	5-3241X	
2.679	1.125	2.679	1.125	Rockwell	L14N/1240			Y	5-129X	
2.755	1.024	2.755	1.024		Suzuki			Y	5-3257X	
2.764	1.063	2.764	1.063	Bondioli Pavesi	Series 3			Y	5-3232X	
2.931	0.882	2.931	0.882	Rockwell	1FR-AG			Y	5-264X	4-round knurled caps; no bearings in bearing cap
2.933	1.063	2.933	1.063	Walterscheid	2300			Y	044444*	
2.937	1.063	2.937	1.063	Bondioli Pavesi	Series 4			Y	5-3204X	
2.938	1.063	2.938	1.063	Spicer	1300			Y	5-4X*	5-4X was replaced by 5-3214X
2.937	1.062	2.937	1.062	Spicer	1300			Y	5-3214X	
2.939	1.062	2.939	1.062	Spicer Italcardano	75-B			Y	050585000	
2.993	1.260	2.993	1.260	Walterscheid	2400			Y	312410*	312410 was replaced by 5-3235X
2.992	1.260	2.992	1.260	Walterscheid	2400			Y	5-3235X	
3.000	0.985	3.000	0.985		Chrysler/ Mitsubishi			Y	5-3217X	
3.059	1.123	3.059	1.123		Toyota			Y	5-3224X	
3.207	1.250	3.207	1.250	Rockwell	35N/1340			Y	5-243X	
3.219	1.062	3.219	1.062	Spicer	1310			N	5-785X*	5-785X was replaced by 5-1310X; Spicer Life Series
3.219	1.062	3.219	1.062	Spicer	1310/SPL22			N	SPL22-1X*	SPL22-1X was replaced by 5-1310X

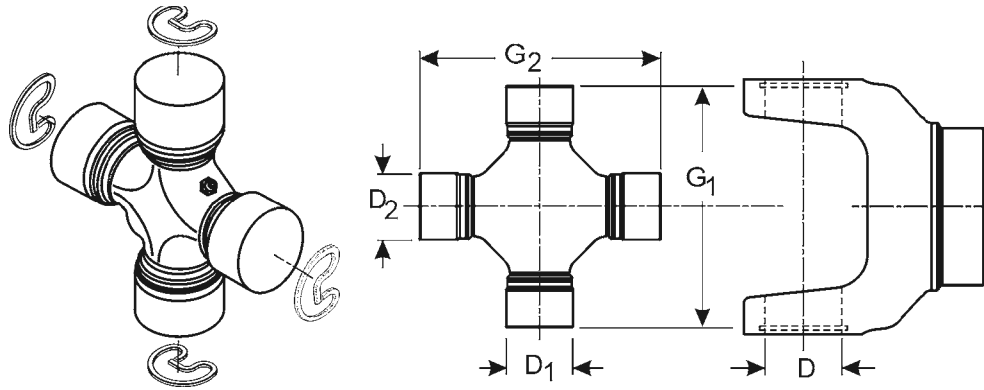
* Part has been discontinued † Part is available until supply is exhausted ‡ Not sold separately



OUTSIDE SNAP RING (OSR) STYLE (CONTINUED)

G1	D1	G2	D2	OE Manufacturer	OE Series	Converts		Greasable Y=Yes N=No	Spicer Part #	Notes
						From This Series	To This Series Part			
3.219	1.062	3.219	1.062	Spicer	1310/SPL22			N	5-1310X	
3.219	1.062	3.219	1.062	Spicer	1310			Y	5-278X*	5-278X was replaced by 5-153X; flush lube fitting in cross
3.219	1.062	3.219	1.062	Spicer	1310			Y	5-419X†	5-419X will be replaced by 5-153X when supply is exhausted; has metal back seals
3.219	1.062	3.219	1.062	Spicer	1310			Y	5-477X*	5-477X was replaced by 5-153X; has black seals
3.219	1.062	3.219	1.062	Spicer	1310			Y	5-511X*	5-511X was replaced by 5-153X; has long grease Zerk
3.219	1.062	3.219	1.062	Spicer	1310			Y	5-153X	
3.219	1.062	3.219	1.062	Spicer	1310			N	5-611-1X*	Includes various thickness snap rings
3.219	1.062	3.219	1.062	Spicer	1310			N	5-786X*	5-786X was replaced by 5-3613X; coated bearing caps; Spicer Life Series
3.219	1.062	3.219	1.062	Spicer	1310/SPL22			N	SPL22-2X*	SPL22-2X was replaced by 5-3613X; coated bearing caps
3.219	1.062	3.219	1.062	Spicer	1310			N	5-3613X	Coated bearing caps; Spicer Life Series
3.219	1.062	3.219	1.062	Spicer	1310			Y	5-255X*	5-255X was replaced by 5-1310-1X; has metal back seals
3.219	1.062	3.219	1.062	Spicer	1310			Y	5-810X†	5-810X will be replaced by 5-1310-1X when supply is exhausted; lube fitting in bearing cap; Spicer Life Series
3.219	1.062	3.219	1.062	Spicer	1310-CV			Y	5-433-1X*	5-433-1X was replaced by 5-1310-1X; lube fitting in bearing cap
3.219	1.062	3.219	1.062	Spicer	SPL22			Y	SPL22-7X*	SPL22-7X was replaced by 5-1310-1X; Spicer Life Series
3.219	1.062	3.219	1.062	Spicer	1310/SPL22			Y	5-1310-1X	Lube fitting in bearing cap
3.219	1.062	3.219	1.125	Spicer	1310SPEC			Y	5-719X*	
3.219	1.062	3.219	1.125	Spicer	1310SPEC			N	5-787X*	5-787X was replaced by 5-7439X; Spicer Life Series
3.219	1.062	3.219	1.125	Spicer	1310SPEC			Y	5-1201X*	5-1201X was replaced by 5-7439X
3.219	1.062	3.219	1.125	Spicer	1310SPEC/SPL22	S55	SPL22	N	SPL22-3X*	SPL22-3X was replaced by 5-7439X
3.219	1.062	3.219	1.125	Spicer	S55/1310	S55	1310	N	5-7439X	
3.219	1.062	3.625	1.062	Spicer	1310/1330	1310	1330	Y	15-134X	SVL by Dana
3.219	1.062	3.219	1.062	Spicer	1310			Y	15-153X	SVL by Dana
3.219	1.062	3.625	1.062	Spicer	1310/1330	1310	1330	Y	5-134X	
3.219	1.062	3.625	1.188	Spicer	1310/1350	1310	1350	Y	5-460X	
3.268	1.181	3.268	1.181		ZF			N	5-3262X	
3.496	1.417	3.496	1.417	Walterscheid	Series 2500			Y	5-3237X	
3.503	1.417	3.503	1.417	Walterscheid	2500			Y	312209*	312209 was replaced by 5-3234X
3.150	1.189	3.150	1.189	Bondioli Pavesi	Series 5			Y	5-3234X	
3.607	1.066	3.607	1.066	Visteon	1330			Y	5-3253X	
3.612	1.188	3.612	1.188	AAM	AAM 1355			N	5-3208X	
3.622	1.181	3.622	1.181	Walterscheid	W220			Y	041662*	041662 was replaced by 5-3236X
3.622	1.189	3.622	1.189	Bondioli Pavesi	Series 6			Y	5-3236X	

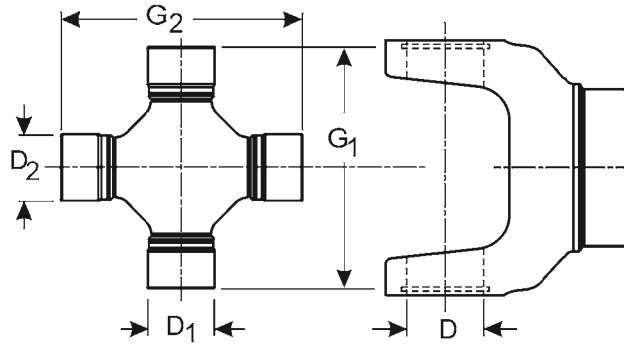
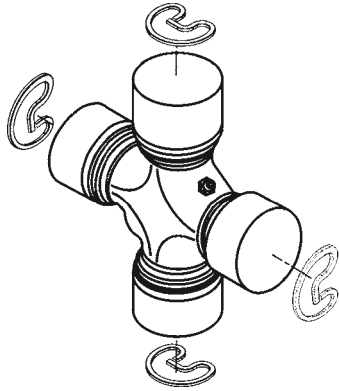
* Part has been discontinued † Part is available until supply is exhausted ‡ Not sold separately



OUTSIDE SNAP RING (OSR) STYLE (CONTINUED)

G1	D1	G2	D2	OE Manufacturer	OE Series	Converts		Greasable Y=Yes N=No	Spicer Part #	Notes
						From This Series	To This Series Part			
3.625	1.062	3.625	1.062	Spicer	1330			Y	5-1203X	
3.625	1.062	3.625	1.062	Spicer	1330			Y	5-273X*	5-273X was replaced by 5-213X; has metal back seals
3.625	1.062	3.625	1.062	Spicer	1330			Y	5-213X	
3.625	1.062	3.625	1.062	Spicer	1330			N	5-791X*	5-791X was replaced by 5-3614X; coated bearing caps; Spicer Life Series
3.625	1.062	3.625	1.062	Spicer	1330/SPL25			N	SPL25-2X*	SPL25-2X was replaced by 5-3614X; coated bearing caps
3.625	1.062	3.625	1.062	Spicer	1330/SPL25			N	5-3614X	Coated bearing caps; Spicer Life Series
3.625	1.062	3.625	1.062	Spicer	1330			N	5-618X*	5-618X was replaced by 5-1330X
3.625	1.062	3.625	1.062	Spicer	1330			N	5-790X*	5-790X was replaced by 5-1330X; Spicer Life Series
3.625	1.062	3.625	1.062	Spicer	SPL25/1330			Y	5-812X*	5-812X was replaced by 5-1330-1X; Spicer Life Series
3.625	1.062	3.625	1.062	Spicer	SPL25			N	5001919*	5001919 was replaced by 5-1330-1X; lube fitting in bearing cap
3.625	1.062	3.625	1.062	Spicer	1330/SPL25			N	SPL25-1X*	SPL25-1X was replaced by 5-1330X
3.625	1.062	3.625	1.062	Spicer	1330/SPL25			N	5-1330X	
3.625	1.062	3.625	1.125	Spicer	1330SPEC			N	5-792X*	5-792X was replaced by 5-7438X; Spicer Life Series
3.625	1.062	3.625	1.125	Spicer	1330SPEC/ SPL25			N	SPL25-3X*	SPL25-3X was replaced by 5-7438X
3.625	1.062	3.625	1.125	Spicer	1330SPEC/ SPL25			N	5-7438X	
3.625	1.062	3.625	1.125	Spicer		1330	1330SPEC	N	5-538X	
3.625	1.062	3.625	1.125	Spicer	1330SPEC			Y	5-1204X	
3.625	1.188	3.625	1.188	Spicer	1350/SPL30			N	SPL30-3X*	2-uncoated, 2-coated bearing caps
3.625	1.188	3.625	1.188	Spicer	1350/SPL30			N	SPL30-4X*	
3.625	1.188	3.625	1.188	Spicer	1350			Y	5-174X	Has metal back seals
3.625	1.188	3.625	1.188	Spicer	1350			Y	5-480X*	5-480X was replaced by 5-178X
3.625	1.188	3.625	1.188	Spicer	1350			Y	5-584X*	5-584X was replaced by 5-178X; same as 5-178X except includes 45° Zerk
3.625	1.188	3.625	1.188	Spicer	1350			Y	5-178X	
3.625	1.188	3.625	1.188	Spicer	1350			Y	15-178X	SVL by Dana
3.625	1.188	3.625	1.188	Spicer	1350			N	5-447X*	5-447X was replaced by 5-3615X; coated bearing caps
3.625	1.188	3.625	1.188	Spicer	1350			N	5-800X*	5-800X was replaced by 5-3615X; coated bearing caps; Spicer Life Series
3.625	1.188	3.625	1.188	Spicer	1350/SPL30			N	SPL30-2X*	SPL30-2X was replaced by 5-3615X; coated bearing caps
3.625	1.188	3.625	1.188	Spicer	1350			N	5-3615X	Coated bearing caps
3.625	1.188	3.625	1.188	Spicer	1350WJ			N	5-282X*	5-282X was replaced by 5-1350X; has metal back seals
3.625	1.188	3.625	1.188	Spicer	1350WJ			N	5-86X*	5-86X was replaced by 5-1350X; used in closed end Spicer front axle; no bearing cap seals

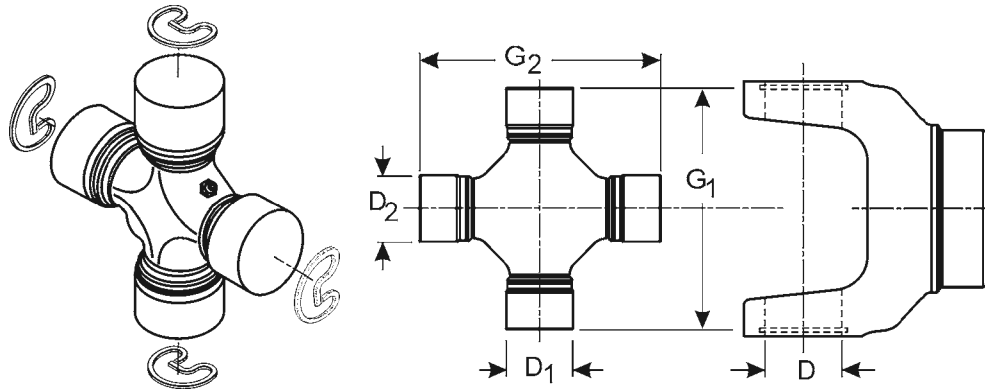
* Part has been discontinued † Part is available until supply is exhausted ‡ Not sold separately



OUTSIDE SNAP RING (OSR) STYLE (CONTINUED)

G1	D1	G2	D2	OE Manufacturer	OE Series	Converts		Greasable Y=Yes N=No	Spicer Part #	Notes
						From This Series	To This Series Part			
3.625	1.188	3.625	1.188	Spicer	1350			N	5-799X*	5-799X was replaced by 5-1350X; Spicer Life Series
3.625	1.188	3.625	1.188	Spicer	1350/SPL30			N	SPL30-1X*	SPL30-1X was replaced by 5-1350X
3.625	1.188	3.625	1.188	Spicer	1350/SPL30			N	5-1350X	
3.625	1.188	3.625	1.188	Spicer	1350			N	5-471X*	5-471X was replaced by 5-1350-1X; has metal back seals - spec for U.S. government
3.625	1.188	3.625	1.188	Spicer	1350			Y	5-542X*	5-542X was replaced by 5-1350-1X; has metal back seals
3.625	1.188	3.625	1.188	Spicer	1350/SPL30			Y	5-1350-1X	Lube fitting in bearing cap
3.625	1.062	3.625	1.125	Spicer	1330SPEC			Y	15-1204X	SVL by Dana
3.625	1.062	3.625	1.062	Spicer	1330			Y	15-213X	SVL by Dana
3.625	1.062	3.625	1.062	Spicer	1330/SPL25			Y	5-1330-1X	
3.625	1.062	3.625	1.062	Spicer	1330/SPL25			Y	5-1330-1X	
3.625	1.062	3.625	1.188	Spicer	1330/1350	1330	1350	Y	5-648X	
3.625	1.125	3.625	1.188	Cleveland	P55	1350	P55	Y	5-1313X*	5-1313X was replaced by 5-3248X
3.625	1.125	3.625	1.188	Spicer	1330SPEC/1350	1330SPEC	1350	Y	5-3248X	
3.693	1.374	3.693	1.374	Bondioli Pavesi	Series 7			Y	5-3238X	
3.767	1.260	3.767	1.260	Spicer Italcardan	96-B			Y	050207000	
3.787	1.066	3.787	1.066	Visteon Special	Staked Replacement			N	5-3203X	
3.900	1.005	3.900	1.005	Borg Warner	3DR			Y	5-265X	4-round knurled caps - no hardware included
4.173	1.374	4.173	1.374	Bondioli Pavesi	Series 8			Y	5-3240X	
4.178	1.375	4.178	1.375	AAM	AAM 1485			N	5-3206X	
4.178	1.188	4.178	1.188	AAM	AAM 1415			N	5-3207X	
4.188	1.188	4.188	1.188	Spicer	1410			N	5-641X*	5-641X was replaced by 5-1410X
4.188	1.188	4.188	1.188	Spicer	1410			Y	5-462X*	5-462X was replaced by 5-1410-1X; has metal back seals
4.188	1.188	4.188	1.188	Spicer	1410			N	5-801X*	5-801X was replaced by 5-1410X; Spicer Life Series
4.188	1.188	4.188	1.188	Spicer	1410/SPL36			N	SPL36-1X*	SPL36-1X was replaced by 5-1410X
4.188	1.188	4.188	1.188	Spicer	1410/SPL36			N	SPL36-3X*	SPL36-3X was replaced by 5-1410X
4.188	1.188	4.188	1.188	Spicer	1410/SPL36			N	5-1410X	
4.188	1.188	4.188	1.188	Spicer	1410/SPL36			N	SPL36-2X*	SPL36-2X was replaced by 5-3616X; coated bearing caps
4.188	1.188	4.188	1.188	Spicer	1410			N	5-3616X	Coated bearing caps; Spicer Life Series
4.188	1.188	4.188	1.188	Spicer	1410/SPL36			N	SPL36-4X*	
4.188	1.188	4.188	1.188	Spicer	1410			N	5-429X*	Has metal back seals
4.188	1.188	4.188	1.188	Spicer	1410			Y	5-481X*	5-481X was replaced by 5-160X
4.188	1.188	4.188	1.188	Spicer	1410			Y	5-160X	
4.188	1.375	4.188	1.375	Spicer	1480/SPL55			N	SPL55-2X*	
4.188	1.375	4.188	1.375	Spicer	1480			Y	5-263X*	5-263X was replaced by 5-188X

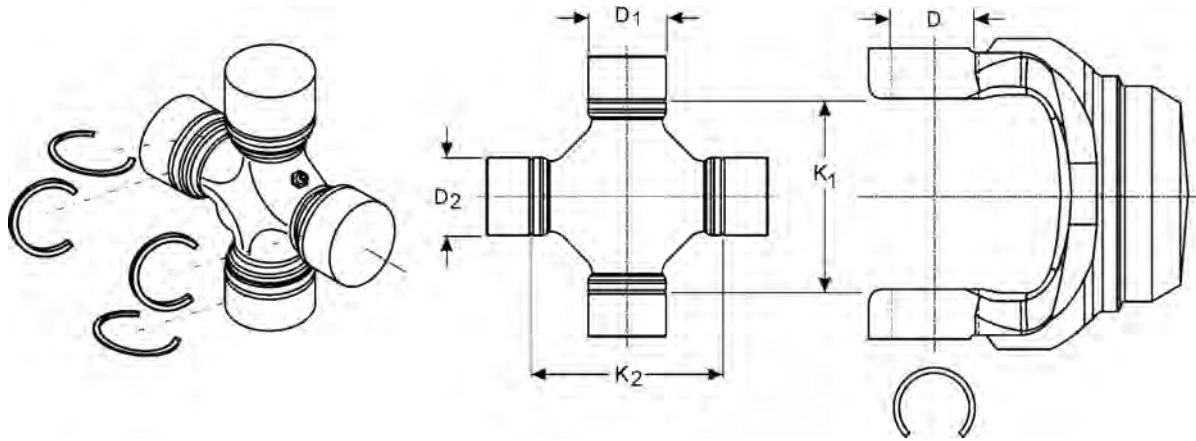
* Part has been discontinued † Part is available until supply is exhausted ‡ Not sold separately



OUTSIDE SNAP RING (OSR) STYLE (CONTINUED)

G1 Over Caps	D1 Inside Bearing Cap Diameter	G2 Over Caps	D2 Outside Bearing Cap Diameter	OE Manufacturer	OE Series	Converts		Greaseable Y=Yes N=No	Spicer Part #	Notes
						From This Series	To This Series Part			
4.188	1.375	4.188	1.375	Spicer	1480			Y	5-482X*	5-482X was replaced by 5-188X
4.188	1.375	4.188	1.375	Spicer	1480			Y	5-188X	
4.188	1.375	4.188	1.375	Spicer	1480			Y	15-188X	SVL by Dana
4.188	1.375	4.188	1.375	Spicer	1480			N	5-803X*	5-803X was replaced by SPL55X; Spicer Life Series
4.188	1.375	4.188	1.375	Spicer	1480/SPL55			N	SPL55X	
4.188	1.375	4.188	1.375	Spicer	1480			N	5-319X*	5-319X was replaced by SPL55-1X; has metal back seals
4.188	1.375	4.188	1.375	Spicer	SPL55/1480			Y	5-804X*	5-804X was replaced by SPL55-1X; Spicer Life Series
4.188	1.375	4.188	1.375	Spicer	1480/SPL55			Y	SPL55-1X	
4.188	1.188	4.188	1.188	Spicer	1410			Y	15-160X	SVL by Dana
4.188	1.188	4.188	1.188	Cleveland	055			Y	15-1206X	SVL by Dana
4.188	1.188	4.188	1.188	Cleveland	055			Y	5-1206X*	5-1206X was replaced by 5004989
4.188	1.188	4.188	1.188	Cleveland	SPL36/055			N	5004989	
4.188	1.188	4.188	1.188	Spicer	1410/SPL36			Y	5-1410-1X	Lube fitting in bearing cap
4.188	1.375	4.188	1.375	Walterscheid	2200			Y	044439*	
4.232	1.614	4.232	1.614	Bondioli Pavesi	Series 7			Y	5-3239X	
4.312	1.531	4.312	1.531	Rockwell	55N			Y	5-432X*	5-432X was replaced by 5-3225X
4.307	1.533	4.307	1.533	Rockwell	55N			Y	5-3225X	
4.946	1.375	4.946	1.375	AAM	AAM 1555			N	5-3230X	
4.957	1.625	4.957	1.625	Spicer	SPL90			Y	SPL90X*	SPL90X was replaced by SPL100-1X
4.957	1.625	4.957	1.625	Spicer	SPL100			Y	SPL100-1X	Dimensionally same as SPL90X
4.964	1.375	4.964	1.375	Spicer	1550			Y	5-304X*	5-304X was replaced by 5-155X; OEM kit
4.964	1.375	4.964	1.375	Spicer	1550			Y	5-483X*	5-483X was replaced by 5-155X
4.964	1.375	4.964	1.375	Spicer	1550			Y	5-543X*	5-543X was replaced by 5-155X; has metal back seals
4.964	1.375	4.964	1.375	Spicer	1550			Y	5-155X	
4.964	1.375	4.964	1.375	Spicer	1550			Y	5-546X*	2 snap rings and 2 thrust plates w/ metric bolts
4.964	1.375	4.964	1.375	Spicer	1550			N	5-808X*	5-808X was replaced by SPL70X; Spicer Life Series
4.964	1.375	4.964	1.375	Spicer	1550/SPL70			N	SPL70X	
4.964	1.375	4.964	1.375	Spicer	1550			Y	5-275X†	5-275X will be replaced by SPL70-1X when supply is exhausted; has metal back seals
4.964	1.375	4.964	1.375	Spicer	1550			Y	5-778X*	5-778X was replaced by SPL70-1X; same as 5-275X but has 45° Zerk and metal back seals
4.964	1.375	4.964	1.375	Spicer	1550/SPL70			Y	SPL70-1X	
4.964	1.375	4.964	1.375	Spicer	1550			Y	15-155X	SVL by Dana
5.590	1.623	5.590	1.623	Spicer	1650			Y	5-165X	
6.011	1.980	6.011	1.980	Spicer Italcardano				Y	050967100	Has 3-hole plates instead of snap rings
6.772	2.559	6.772	2.559	Spicer	SPL350			Y	SPL350X	
6.772	2.559	6.772	2.559	Spicer	SPL350			N	SPL350SFX	
8.092	2.186	8.092	2.186	Spicer	1850			Y	5-185X*	

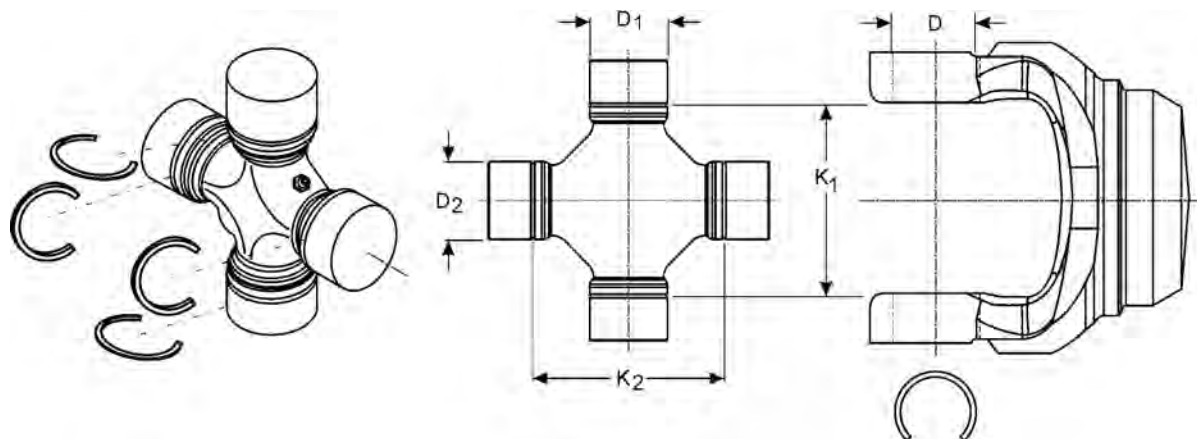
* Part has been discontinued † Part is available until supply is exhausted ‡ Not sold separately



INSIDE SNAP RING (ISR) STYLE

K1 Between Snap Rings	D1 Inside Bearing Cap Diameter	K2 Between Snap Rings	D2 Outside Bearing Cap Diameter	OE Manufacturer	OE Series	Converts		Greasable Y=Yes N=No	Spicer Part #	Notes
						From This Series	To This Series Part			
1.400	0.867	1.400	0.867	Toyota/Nissan	Staked Replacement			Y	5-3202X	Lube fitting in bearing cap
1.445	0.971	1.445	0.971	Rockwell	L6N			Y	5-92X	
1.482	0.886	1.482	0.886	Mazda				N	5-1514X	
1.496	0.787	1.496	0.787	Datsun-Toyota				N	5-1500X	
1.500	0.938	1.445	0.971	Rockwell	L6N	1000	L6N	Y	5-430X	
1.500	0.938	1.500	0.938	Spicer	1000			N	5-110X	
1.500	0.938	1.500	0.938	Spicer	1000SG			Y	5-755X*	Used in aluminum steering shafts
1.500	0.938	1.500	0.938	Spicer	1000			Y	5-170X	Used in PTO shafts
1.500	0.938	1.500	0.938	Spicer	1000			Y	5-170-1X	Lube fitting in bearing cap
1.500	0.938	1.500	0.938	Spicer	1000SG			Y	5-103X	Used in steel steering shafts
1.500	0.938	1.500	0.938	Spicer	1000			Y	15-170X	SVL by Dana
1.640	1.062	1.640	1.062	Spicer	1210WJ			N	5-456X*	5-456X was replaced by 5-3215X
1.629	1.062	1.629	1.062	Spicer	1210WJ			N	5-3215X	
1.718	1.000	1.718	1.000	Spicer	1100			Y	5-105X	
1.721	0.984	1.721	0.984	Mazda				Y	5-3229X	
1.723	0.984	1.723	0.984	Mazda				N	5-1504X*	
1.734	0.984	1.734	0.984	Datsun				N	5-1501X	
1.828	1.062	1.828	1.062	Rockwell	L12N	1140	L12N	Y	5-242X	
1.830	1.126	1.830	1.126		Howes 14			Y	5-3265X	
1.843	1.024	1.843	1.024	Toyota				Y	5-3223X	
1.900	0.947	1.900	0.947	BMW/Mazda	Staked Replacement			Y	5-3201X	Lube fitting in bearing cap
1.923	1.062	1.923	1.062		Nissan/Infiniti			Y	5-3218X	
1.980	1.044	1.980	1.044		Kia/Mazda			Y	5-3245-1X	
2.000	1.228	2.000	1.228	Detroit	5160			Y	5-3251X	
2.047	1.142	2.047	1.142	Toyota				Y	5-1510X	
2.080	1.142	2.080	1.142	Chev Luv				Y	5-1515X	
2.118	1.125	2.118	1.125		Mechanics 2.5			Y	5-3219-1X	
2.120	1.079	2.120	1.079	Detroit	7260			Y	5-3228X	
2.125	1.078	2.125	1.078	Detroit	7260			Y	5-1306X*	5-1306X was replaced by 5-789X
2.125	1.078	2.125	1.078	Detroit	7260			Y	5-1306-1X*	5-1306-1X was replaced by 5-789X; lube fitting in bearing cap
2.125	1.078	2.125	1.078	Detroit	7260			N	SPL22-8X*	SPL22-8X was replaced by 5-789X
2.125	1.078	2.125	1.078	Detroit	7260			N	5-789X	Spicer Life Series
2.125	1.078	2.125	1.078	Mercuriser	7260			Y	5-589X*	Mercuriser kit
2.125	1.078	2.625	1.125	Detroit	7260	7260	7290	Y	5-527X*	5-527X was replaced by 5-3244X
2.125	1.078	2.625	1.125	Detroit		7290	7260	Y	5-3244X	
2.140	1.251	2.140	1.251		Howse 15			Y	5-3266X	

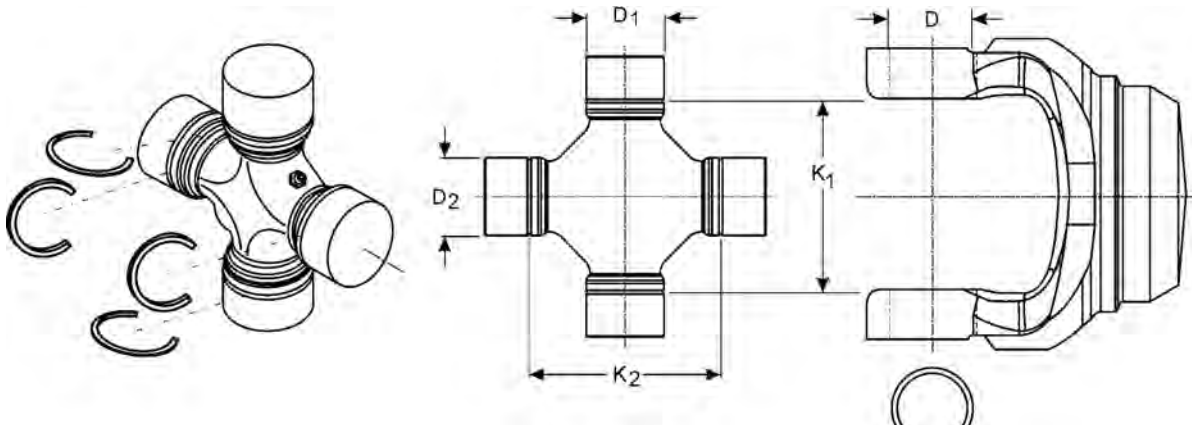
* Part has been discontinued † Part is available until supply is exhausted ‡ Not sold separately



INSIDE SNAP RING (ISR) STYLE (CONTINUED)

K1 Between Snap Rings	D1 Inside Bearing Cap Diameter	K2 Between Snap Rings	D2 Outside Bearing Cap Diameter	OE Manufacturer	OE Series	Converts		Greaseable Y=Yes N=No	Spicer Part #	Notes
						From This Series	To This Series Part			
2.188	1.062	2.188	1.062	Spicer	1310WJ			N	5-74X*	5-74X was replaced by 5-260X; used in closed end; Spicer front axle
2.188	1.062	2.188	1.062	Spicer	1310WJ			Y	5-260-1X*	5-260-1X was replaced by 5-260X; lube fitting in bearing cap
2.188	1.062	2.188	1.062	Spicer	1310WJ			N	5-260X	
2.188	1.188	2.188	1.188	Spicer	1310WJ			Y	5-297-1X*	5-297-1X was replaced by 5-3226X; lube fitting in bearing cap
2.188	1.188	2.188	1.188	Spicer	1310WJ			Y	5-3226X	
2.188	1.188	2.188	1.188	Spicer	1310WJ			N	5-297X*	5-297X was replaced by 5-760X
2.188	1.188	2.188	1.188	Spicer	1310WJ			N	5-760X	
2.188	1.062	2.188	1.062	Spicer	1310WJ			N	15-260X	SVL by Dana
2.200	1.025	2.200	1.025	Toyota				Y	5-1508X	
2.208	1.102	2.208	1.102	Datsun				Y	5-1505X	
2.282	1.181	2.282	1.181		Mitsubishi			Y	5-3243X	
2.288	1.188	2.288	1.188	Spicer	SPL30			N	5004891*	5004891 was replaced by 5-7166X
2.406	1.188	2.406	1.188	Spicer	1350WJ			N	5-7166X	
2.315	1.102	2.315	1.102					Y	5-3216X	
2.337	1.000	2.337	1.000	Mechanics	2RL			Y	5-3263X	
2.337	1.000	2.337	1.000		Mechanics 2			Y	5-3242X	
2.343	1.062	2.343	1.062	Spicer	1310			Y	5-350X*	5-350X was replaced by 5-3254X
2.344	1.000	2.344	1.000	Mechanics	2R			Y	5-2011X*	5-2011X was replaced by 5-3242X
2.340	1.062	2.340	1.062	Spicer	1310			Y	5-3254X	
2.375	1.062	2.375	1.062	Cleveland	S55			Y	5-718X*	Coated bearing caps
2.375	1.062	2.375	1.062	Cleveland	S55			Y	5-1200X	
2.453	1.497	2.453	1.497	Mercedes				Y	5-1506X*	
2.520	1.260	2.520	1.260	Toyota				Y	5-1511X*	5-1511X was replaced by 5-3221X
2.520	1.260	2.520	1.260	Toyota				Y	5-3221X	
2.556	1.125	2.556	1.125	Mechanics	S44			Y	5-3147X	
2.556	1.125	2.556	1.125	Mechanics	S44			N	SPL25-6X*	SPL25-6X was replaced by 5-795X
2.556	1.125	2.556	1.125	Spicer	SPL25/S44			N	5-795X	Spicer Life Series
2.556	1.125	2.556	1.125	Mechanics	S44			Y	15-3147X	SVL by Dana

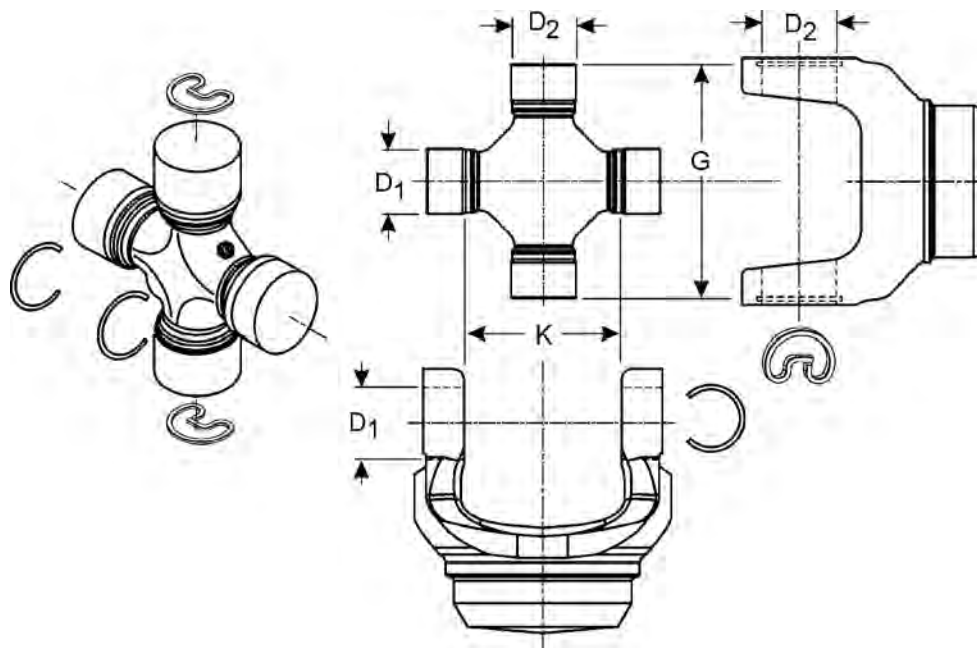
* Part has been discontinued † Part is available until supply is exhausted ‡ Not sold separately



INSIDE SNAP RING (ISR) STYLE (CONTINUED)

K1 Between Snap Rings	D1 Inside Bearing Cap Diameter	K2 Between Snap Rings	D2 Outside Bearing Cap Diameter	OE Manufacturer	OE Series	Converts		Greasable Y=Yes N=No	Spicer Part #	Notes
						From This Series	To This Series Part			
2.563	1.188	2.563	1.188	Cleveland	R55			Y	5-1205X*	5-1205X was replaced by 5-3250X
2.587	1.125	2.587	1.125		AAM 1344			N	5-3211X	
2.625	1.125	2.625	1.125	Detroit	7290			N	SPL25-9X*	SPL25-9X was replaced by 5-811X
2.625	1.125	2.625	1.125	Detroit	7290			N	5-811X	Spicer Life Series
2.625	1.125	2.625	1.125	Detroit	7290			Y	5-1309X	
2.635	1.125	2.556	1.125	Detroit/ Mechanics	7290/S44	7290	S44	N	5-3163X*	
2.781	1.312	2.781	1.312	Rockwell	44R			Y	5-431X	
2.798	1.062	2.798	1.062	Spicer	1330			Y	5-1203X	
2.831	1.142	2.831	1.142		Acura/Isuzu			Y	5-3259-1X	
2.920	1.375	2.920	1.375	AAM	1485WJ			N	5006813	Spicer Life Series
2.954	1.375	2.954	1.375	AAM	1485S			N	5-3231X	
3.000	1.231	3.000	1.231	Detroit	5380			Y	5-1301X	
3.000	1.375	3.000	1.375	Spicer	1480WJ			N	5-88X*	5-88X was replaced by SPL55-3X; used in closed end; Spicer front axle
3.000	1.375	3.000	1.375	Spicer	SPL55/ 1480WJ			N	5-806X*	5-806X was replaced by SPL55-3X; wheel joint
3.000	1.375	3.000	1.375	Spicer	1480WJ			N	5-332X*	5-332X was replaced by SPL55-3X; can use 5-806X
3.000	1.375	3.000	1.375	Spicer	SPL55/ 1480WJ			N	SPL55-3X	Wheel joint; same as 5-806X
3.000	1.375	3.000	1.375	Spicer	SPL55/ 1480WJ			Y	5-807X*	5-807X was replaced by SPL55-4X; wheel joint
3.000	1.375	3.000	1.375	Spicer	SPL55/ 1480WJ			Y	SPL55-4X	Wheel joint; same as 5-807X
3.125	1.188	3.125	1.188	Cleveland	055			Y	5-1206X*	5-1206X was replaced by 5004989
3.125	1.188	3.125	1.188	Spicer	SPL36/055			N	5004989	Includes 4 inside and 4 outside snap rings
3.125	1.188	3.125	1.188	Cleveland	055			Y	15-1206X	SVL by Dana
3.250	1.125	3.250	1.125	Mechanics	4R			Y	5-4015X*	
3.737	1.375	3.737	1.375	AAM	AAM 155			N	5-3212X	
3.780	1.375	3.780	1.375	Spicer	SPL70WJ			N	SPL70-3X*	SPL70-3X was replaced by SPL70-4X
3.780	1.375	3.780	1.375	Spicer	SPL70WJ			Y	SPL70-4X	

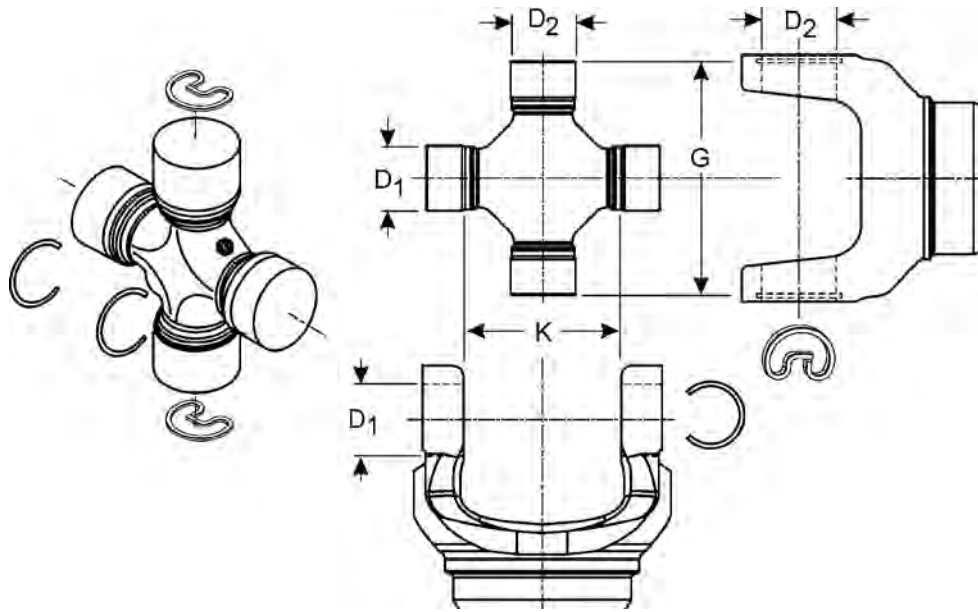
* Part has been discontinued † Part is available until supply is exhausted ‡ Not sold separately



OUTSIDE SNAP RING/INSIDE SNAP RING (OSR/ISR) STYLE

K	D1	G	D2	OE Manufacturer	OE Series	Converts		Greasable Y=Yes N=No	Spicer Part #	Notes
						From This Series	To This Series Part			
1.629	1.062	2.456	1.062	Spicer	1210WJ			N	5-3215X	
1.719	1.000	2.438	1.062	Spicer	1110SPEC			Y	5-249X*	5-249X was replaced by 5-248X
1.719	1.000	2.438	1.062	Spicer	1110/1210	1110	1210	Y	5-248X	Grease Zerk in center of cross
2.049	1.142	3.219	1.062	Toyota		Toyota	1310	Y	5-721X*	
2.125	1.078	3.219	1.062	Detroit	7260	7260	1310	Y	5-353X*	5-353X was replaced by 5-788X
2.125	1.078	3.219	1.062	Detroit	7260	7260	1310	N	5-634X*	5-634X was replaced by 5-788X
2.125	1.078	3.220	1.062	Detroit	7260	7260	1310/ SPL22	N	SPL22-4X*	SPL22-4X was replaced by 5-788X
2.125	1.078	3.219	1.062	Detroit	7260	7260	1310	N	5-788X	Spicer Life Series
2.125	1.078	3.219	1.062	Detroit	7260	7260	1310	N	5-647X*	Coated bearing caps
2.125	1.078	3.625	1.062	Detroit	7260	7260	1330	Y	5-599X*	5-599X was replaced by 5-3246X
2.116	1.078	3.625	1.062	Spicer	1330/7290	7290	1330	Y	5-3246X	
2.125	1.125	3.219	1.062	Mechanics		2.5R	1310	N	5-2530X*	5-2530X was replaced by 5-3247X; plug in center of cross; lube fitting not included
2.125	1.125	3.219	1.062	Mechanics		2.5R	1310	Y	5-3247X	Plug in center of cross; lube fitting not included
2.125	1.078	3.219	1.062	Detroit	7260	7260	1310	Y	15-353X	SVL by Dana
2.181	1.062	3.219	1.062	Spicer	SPEC			Y	5-3249X	
2.324	1.062	3.219	1.062		1310SPEC			Y	5-3213X	
2.344	1.000	3.219	1.062	Spicer		2R	1310	Y	5-2140X	
2.344	1.000	3.219	1.125	Mechanics	2CL	2CL	1260	Y	5-2173X	
2.375	1.062	3.625	1.062	Cleveland	S55			Y	5-1202X*	
2.556	1.125	3.219	1.062	Mechanics	S44	S44	1310	Y	5-3022X*	5-3022X was replaced by 5-3022-1X
2.556	1.125	3.219	1.062	Mechanics	S44	S44	1310	Y	5-3022-1X	
2.556	1.125	3.625	1.062	Spicer	1330/S44			N	5-541X*	5-541X was replaced by 5-793X
2.556	1.125	3.625	1.062	Mechanics	S44	S44	1330	N	5-619X*	5-619X was replaced by 5-793X
2.556	1.125	3.625	1.062	Mechanics	S44	S44	1330	N	5-621X*	5-621X was replaced by 5-793X
2.556	1.125	3.625	1.062	Mechanics	S44	S44	1330	N	5-794X*	5-794X was replaced by 5-793X; outside snap ring caps are coated; Spicer Life Series
2.556	1.125	3.625	1.062	Mechanics	S44	S44	1330/ SPL25	N	5-7436X*	5-7436X was replaced by 5-793X
2.556	1.125	3.625	1.062				1330	N	5003097†	5003097 will be replaced by 5-793X when supply is exhausted
2.556	1.125	3.625	1.062	Mechanics	S44	S44	1330/ SPL25	N	SPL25-4X*	SPL25-4X was replaced by 5-793X

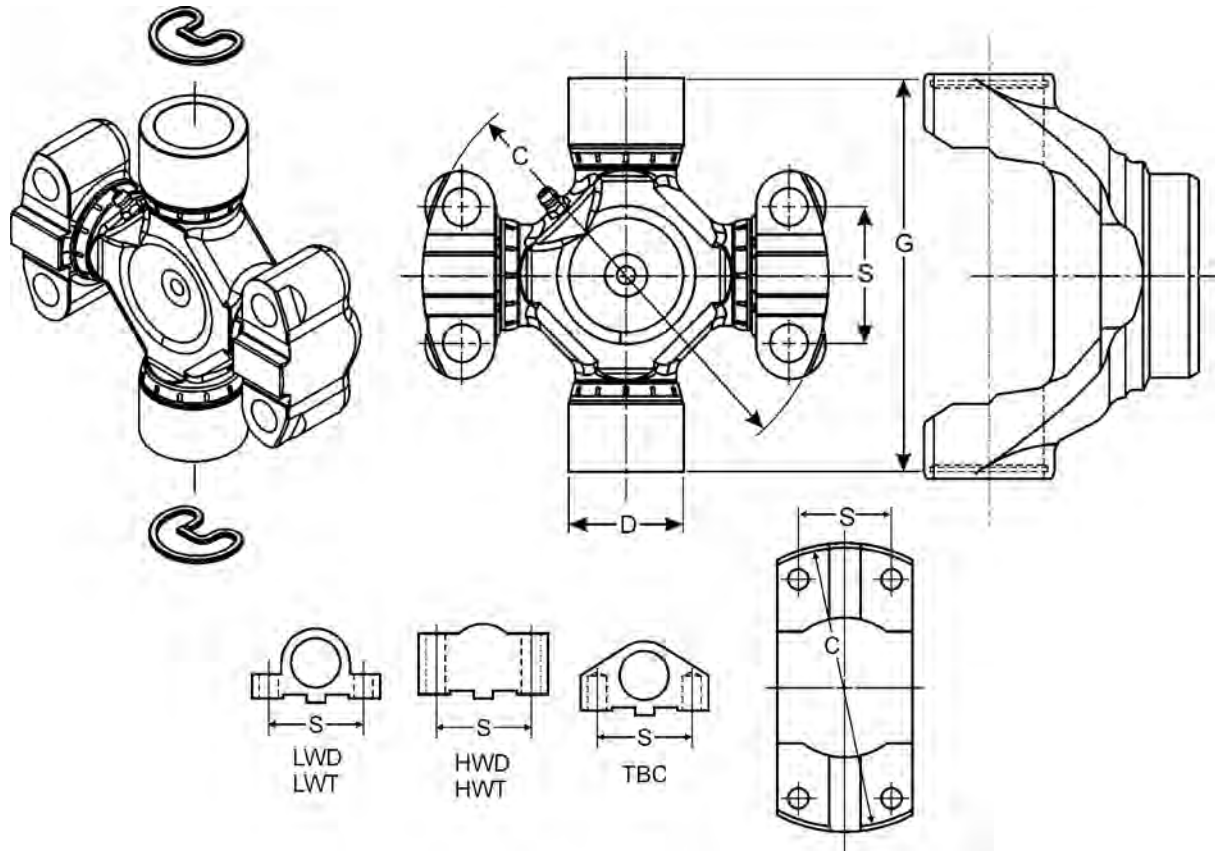
* Part has been discontinued † Part is available until supply is exhausted ‡ Not sold separately



OUTSIDE SNAP RING/INSIDE SNAP RING (OSR/ISR) STYLE (CONTINUED)

K	D1	G	D2	OE Manufacturer	OE Series	Converts		Greasable Y=Yes N=No	Spicer Part #	Notes
						From This Series	To This Series Part			
2.556	1.125	3.625	1.062	Mechanics	S44	S44	1330/ SPL25	N	SPL25-5X*	SPL25-5X was replaced by 5-793X; outside snap ring caps are coated
2.556	1.125	3.625	1.062	Spicer	1330/S44			N	5-793X	Spicer Life Series
2.556	1.125	3.625	1.062	Mechanics	S44	S44	1330	Y	5-212X	
2.556	1.125	3.625	1.125	Cleveland	P55	S44	P55	Y	5-1312X*	5-1312X was replaced by 5-3255X
2.556	1.125	3.625	1.125	Cleveland	P55-55-675			Y	5-3255X	
2.556	1.125	3.625	1.188	Mechanics	1350/S44	S44	1350	Y	5-3205X	
2.563	1.188	3.625	1.188	Cleveland	R55			Y	5-3250X	
2.625	1.125	3.219	1.062	Detroit		7290	1310	Y	5-354X*	5-354X was replaced by 5-3222X
2.613	1.126	3.219	1.062	Spicer			1310	Y	5-3222X	
2.625	1.125	3.625	1.062	Detroit	7290	7290	1330	N	5-637X*	5-637X was replaced by 5-7437X
2.625	1.125	3.625	1.062	Detroit	7290	7290	1330	N	5-672X*	5-672X was replaced by 5-7437X
2.625	1.125	3.625	1.062	Detroit	7290	7290	1330	N	5-796X*	5-796X was replaced by 5-7437X; Spicer Life Series
2.625	1.125	3.625	1.062	Detroit	7290	7290	1330/ SPL25	N	SPL25-7X*	SPL25-7X was replaced by 5-7437X
2.625	1.125	3.625	1.062	Detroit	7290	7290	1330/ SPL25	N	SPL25-8X*	SPL25-8X was replaced by 5-7437X; coated bearing caps
2.625	1.125	3.625	1.062	Detroit	7290/1330	7290	1330/ SPL25	N	5-7437X	
2.625	1.125	1.062		Detroit	7290	7290	1330	Y	5-3227X	
2.767	1.062	3.625	1.125	Spicer		1330	1330SPEC	N	5-538X*	5-538X was replaced by 5-1204X
2.767	1.062	3.625	1.125	Spicer	1330SPEC				5-1204X	
2.767	1.062	3.625	1.125	Spicer	1330SPEC				15-1204X	
2.767	1.125	3.625	1.188	Cleveland	P55	1350	P55	Y	5-1313X*	5-1313X was replaced by 5-3248X
2.798	1.062	3.625	1.062	Spicer	1330			Y	5-1203X	
3.000	1.231	4.188	1.188	Detroit	5380	5380	1410	Y	5-357X	
3.125	1.188	4.188	1.188	Cleveland	055			Y	15-1206X	SVL by Dana
3.125	1.188	4.188	1.188	Cleveland	055			Y	5-1206X*	5-1206X was replaced by 5004989
3.125	1.188	4.188	1.188	Cleveland	SPL36/055			N	5004989	

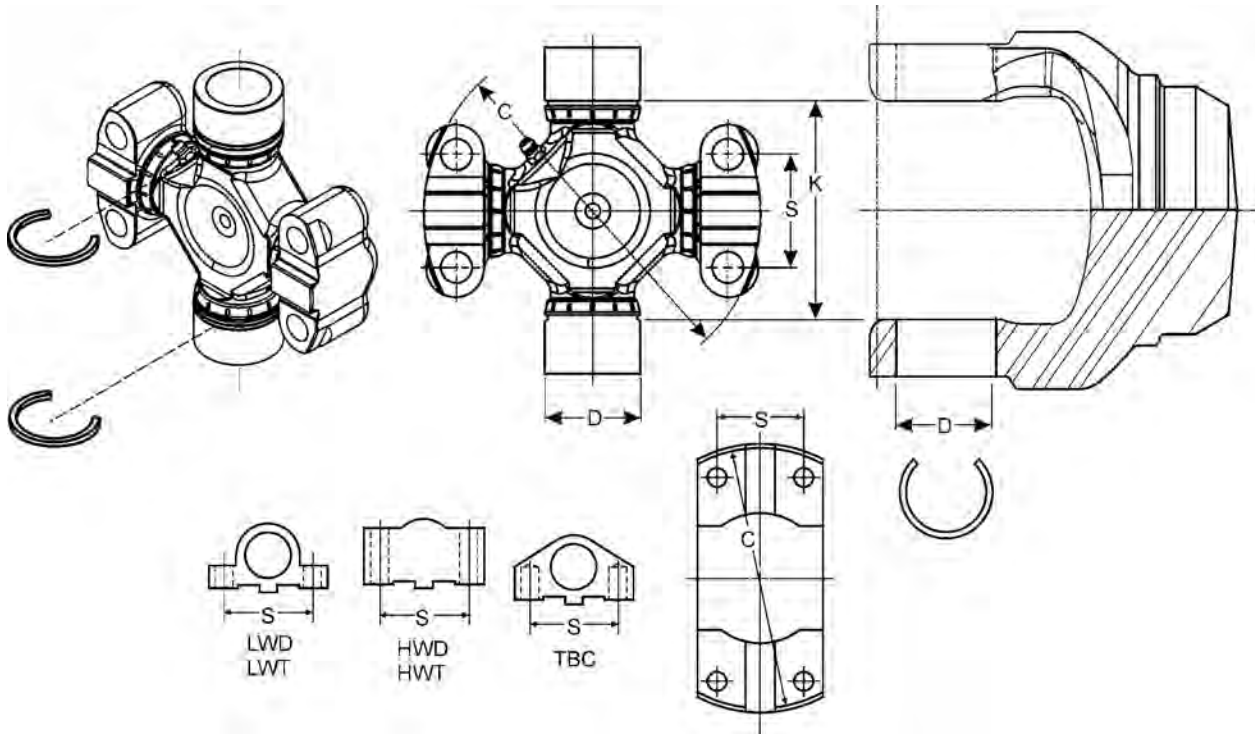
* Part has been discontinued † Part is available until supply is exhausted ‡ Not sold separately



OUTSIDE SNAP RING/WING BEARING (OSR/WB) STYLE

G	D	C	S	WB Cap Style	Converts		Greasable	Spicer Part #	Notes
					From This Series	To This Series Part	Y=Yes N=No		
3.219	1.062	3.125	1.312	TBC	2C	1310	Y	5-291X	
3.219	1.062	3.562	1.438	TBC	3C	1310	Y	5-356X*	
3.625	1.062	3.562	1.438	LWT	3C	1330/P55	Y	5-688X*	
3.625	1.062	3.562	1.438	TBC	3C	1330	Y	5-314X*	
3.625	1.188	3.562	1.438	LWT	3C	1350	Y	5-689X*	
3.625	1.188	3.562	1.438	HWD	3C	1350	Y	5-698X*	
4.188	1.188	4.250	1.438	HWD	4C	1410	Y	5-345X	
4.188	1.188	4.250	1.438	LWT	4C	1410	Y	5-346X*	
4.188	1.375	4.531	1.688	HWD	5C	1480	Y	5-347X*	5-347X was replaced by 5C-3X
4.188	1.375	4.531	1.688	HWD	5C	1480	Y	5C-3X	
4.188	1.375	4.531	1.688	HWT	5C	1480	Y	5-348X*	5-348X was replaced by 5C-5X
4.188	1.375	4.531	1.688	HWT	5C	1480	Y	5C-5X	
4.969	1.375	5.312	1.938	HWD	58WB	1550	Y	5-328X	
4.969	1.375	5.312	1.938	LWT	58WB	1550	Y	5-693X*	
4.969	1.375	5.312	1.938	HWT	58WB	1550	Y	5-329X*	
4.969	1.375	5.531	1.688	HWD	6C/62N	1550	Y	5-221X*	5-221X was replaced by 6C-3X
4.969	1.375	5.531	1.688	HWD	6C/62N	1550	Y	6C-3X	
4.969	1.375	5.531	1.688	HWT	6C/62N	1550	Y	5-220X*	5-220X was replaced by 6C-5X
4.969	1.375	5.531	1.688	HWT	6C/62N	1550	Y	6C-5X	
5.594	1.625	5.844	1.938	HWT	7C/72N/68WB	1650	Y	5-331X*	
5.594	1.625	5.844	1.938	HWD	7C/72N/68WB	1650	Y	5-330X	
8.092	2.186	8.250	2.812	HWT	9C/92N/88WB	1850	Y	5-187X*	
8.092	2.186	8.250	2.812	HWD	9C/92N/88WB	1850	Y	5-186X*	

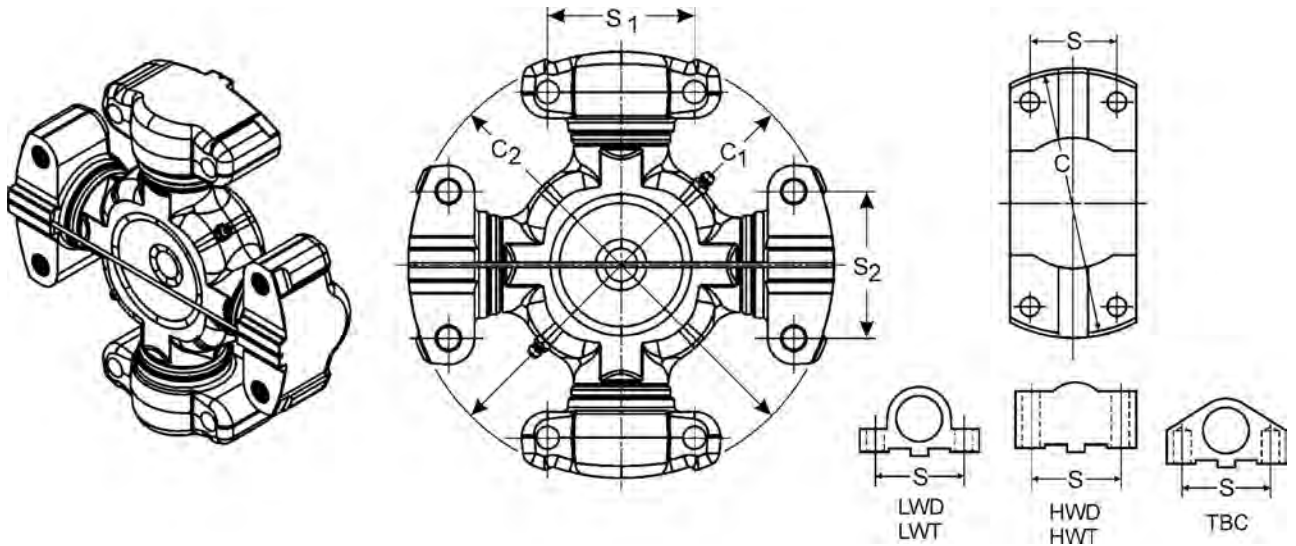
* Part has been discontinued † Part is available until supply is exhausted ‡ Not sold separately



INSIDE SNAP RING/WING BEARING (ISR/WB) STYLE

K Between Snap Rings	D Bearing Cap Diameter	C Pilot Diameter	S Between Bolt Holes	WB Cap Style	Converts		Greaseable Y=Yes N=No	Spicer Part #	Notes
					From This Series	To This Series Part			
2.125	1.078		1.750	LWD	7260	Special	Y	5-1304X*	
2.344	1.000	3.125	1.312	LWD	2CRL	2R	Y	5-2033X*	
2.344	1.000	3.125	1.312	TBC	2CRL	2R	Y	5-2031X	
2.562	1.125	3.562	1.438	TBC	3CRL	S44	Y	5-3012X*	5-3012X was replaced by 5-3264X
2.752	1.125	3.559	1.437	LWT	3CRL	S44	Y	5-3264X	
3.250	1.125	4.250	1.438	LWT	4CRL	4D	Y	5-4014X*	
3.250	1.125	4.250	1.438	LWD	4CSRL	4R	Y	5-4016X*	
3.312	1.312	4.531	1.688	LWD	5CSRL	5R	Y	5-5015X	
3.312	1.312	4.531	1.688	LWT	5CRL	5C	Y	5-5008X*	

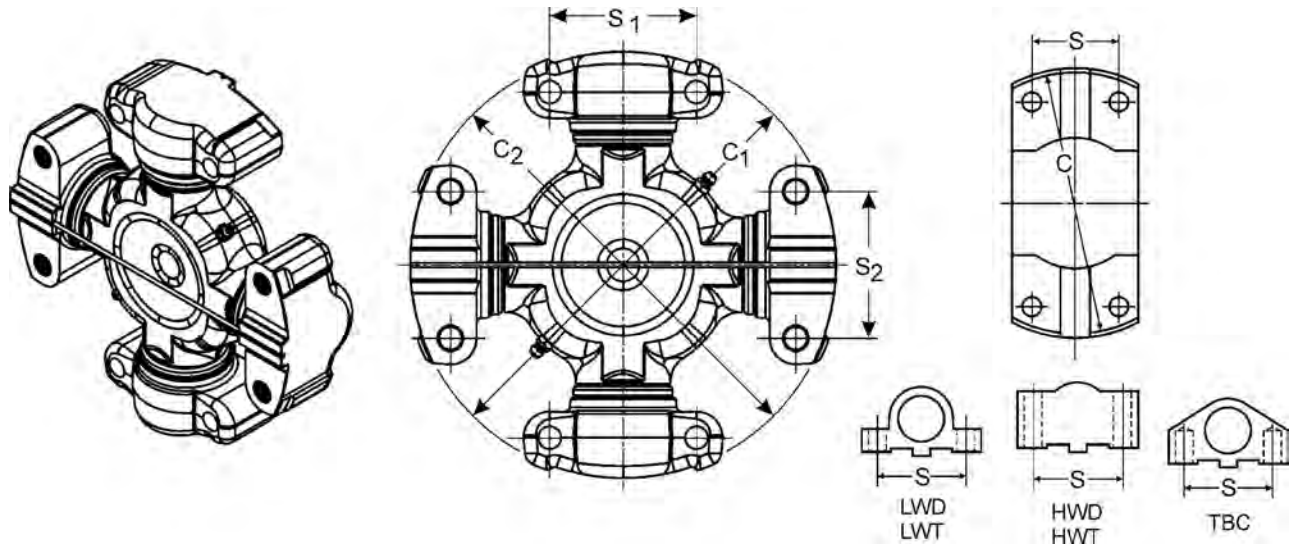
* Part has been discontinued † Part is available until supply is exhausted ‡ Not sold separately



WING BEARING (WB) STYLE

C1	S1	WB1	C2	S2	WB2	OE Manufacturer	OE Series	Greasable Y=Yes N=No	Spicer Part #	Notes
Pilot Diameter	Centerline to Centerline	Cap Type	Pilot Diameter	Centerline to Centerline	Cap Type					
3.125	1.312	LWT	3.125	1.312	LWT	Spicer Italcardano	2C	Y	5-781X*	Lube fitting in bearing cap
3.125	1.312	LWD	3.125	1.312	LWD	Spicer Italcardano	2C	N	050239000*	
3.125	1.312	LWD	3.125	1.312	LWD	Spicer Italcardano	2C	Y	050239010*	Lube fitting in bearing cap
3.125	1.312	LWD	3.125	1.312	LWD	Spicer Italcardano	2C	N	050238000*	
3.125	1.312	LWD	3.125	2.387	TBC	Mechanics	2C	Y	5-2116X*	
3.125	1.312	LWT	3.125	2.687	LWT	Mechanics	2C	N	5-2002X*	
3.562	1.438	LWT	3.562	1.438	LWT	Mechanics	3C	Y	5-3000X†	5-3000X will be replaced by 5-3144X when supply is exhausted
3.562	1.438	LWT	3.562	1.438	LWT	Mechanics/Rockwell	3C	Y	5-3144X	
4.250	1.438	HWD	4.250	1.438	HWD	Mechanics	4C		5-4143X*	5-4143X was replaced by 5-4111X 050742000 will be replaced by 5-4111X when supply is exhausted; OEM kit; bolt part # 81530001, not included
4.250	1.438	HWD	4.250	1.438	HWD	Spicer Italcardano	4C	Y	050742000†	050742010 will be replaced by 5-4111X when supply is exhausted; aftermarket kit; bolt part # 81530001, not included
4.250	1.438	HWD	4.250	1.438	HWD	Spicer Italcardano	4C	Y	050742010†	050742010 will be replaced by 5-4111X when supply is exhausted; aftermarket kit; bolt part # 81530001, not included
4.250	1.438	HWD	4.250	1.438	HWD	Spicer Italcardano	4C	N	050742020*	050742020 was replaced by 5-4211X; OEM kit; bolt part # 81530001, not included
4.250	1.438	HWD	4.250	1.438	HWD	Spicer Italcardano	4C	Y	5-4111X	
4.250	1.438	LWT	4.250	1.438	LWT	Mechanics	4C	Y	5-4002X*	5-4002X was replaced by 5-4144X
4.250	1.438	LWT	4.250	1.438	LWT	Mechanics/Rockwell	4C	Y	5-4144X	
4.250	1.438	HWD	4.250	1.438	HWT	Mechanics	4C	Y	5-4140X†	5-4140X will be replaced by 5-4112X when supply is exhausted
4.250	1.438	HWD	4.250	1.438	HWT	Mechanics/Rockwell	4C	Y	5-4112X	
4.250	1.438	HWD	4.250	1.438	HWD	Spicer Italcardano	4C	N	5-4211X	
4.250	1.438	HWD	4.250	1.438	HWD	Spicer Italcardano	4C	Y	15-4111X	SVL by Dana
4.531	1.688	HWD	4.531	1.688	HWD	Mechanics	5C	Y	5C-1X*	5C-1X was replaced by 5-5111X
4.531	1.688	HWD	4.531	1.688	HWD	Mechanics	5C	Y	5-5177X*	5-5177X was replaced by 5-5111X 050776020 will be replaced by 5-5111X when supply is exhausted; OEM kit; bolt part # 81530007, not included
4.531	1.688	HWD	4.531	1.688	HWD	Spicer Italcardano	5C	Y	050776020†	050776020 will be replaced by 5-5111X when supply is exhausted; OEM kit; bolt part # 81530007, not included

* Part has been discontinued † Part is available until supply is exhausted ‡ Not sold separately



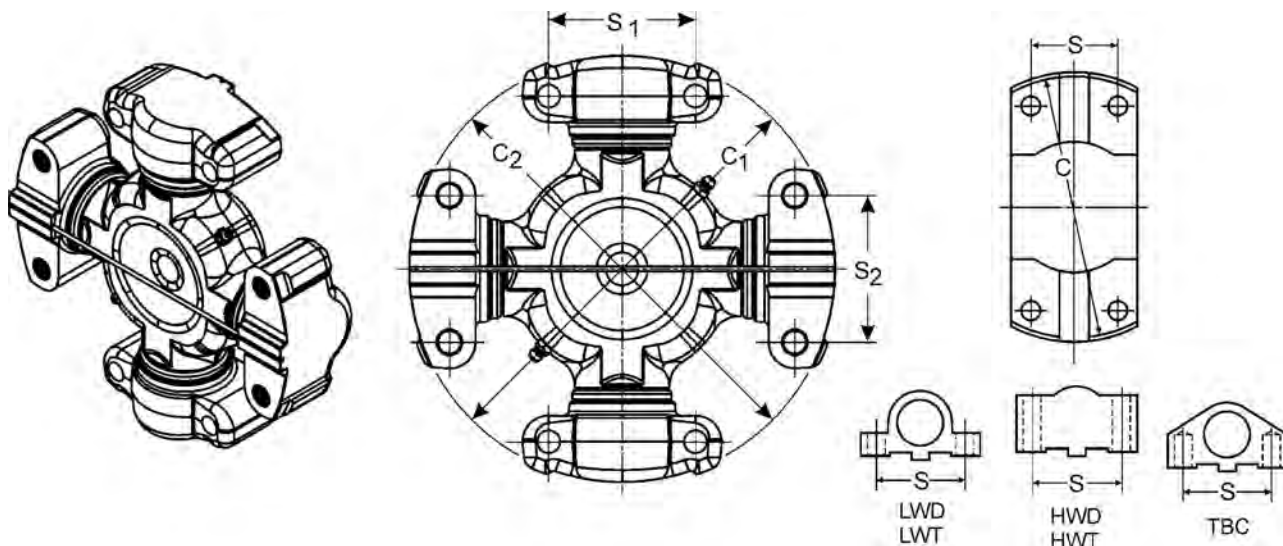
WING BEARING (WB) STYLE (CONTINUED)

C1	S1	WB1	C2	S2	WB2	OE Manufacturer	OE Series	Greasable Y=Yes N=No	Spicer Part #	Notes
Pilot Diameter	Centerline to Centerline	Cap Type	Pilot Diameter	Centerline to Centerline	Cap Type					
4.531	1.688	HWD	4.531	1.688	HWD	Spicer Italcardano	5C	Y	050776010†	050776010 will be replaced by 5-5111X when supply is exhausted; aftermarket kit; bolt part # 81530007, not included
4.531	1.688	HWD	4.531	1.688	HWD	Spicer Italcardano	5C	Y	5-5111X	
4.531	1.688	HWD	4.531	1.688	HWD	Spicer Italcardano	5C	N	050370000†	050370000 will be replaced by 5-5211X or 5-5211XM when supply is exhausted; OEM kit; bolt part # 81530007, not included
4.531	1.688	HWD	4.531	1.688	HWD	Spicer Italcardano	5C	N	5-5211X	
4.531	1.688	HWD	4.531	1.688	HWD	Spicer Italcardano	5C	Y	15-5111X	SVL by Dana
4.531	1.688	LWD	4.531	1.688	LWT	Mechanics	5C	Y	5-5121X*	
4.531	1.688	TBC	4.531	1.688	LWT	Mechanics	5C	Y	5-5000X*	
4.531	1.688	HWD	4.531	1.688	HWD	Spicer Italcardano	5C	N	5-5211XM	Same as 5-5211X but metric bolts
5.118	1.937	HWD	5.118	1.937	HWD	Spicer Italcardano	WS36/670	Y	050544000	
5.312	1.938	HWD	5.312	1.938	HWD	Rockwell	58WB	Y	5-5800X*	
5.531	1.688	LWT	5.531	1.688	LWT	Mechanics/Rockwell	6C/62N	Y	5-6000X*	
5.531	1.688	LWT	5.531	1.688	HWD	Mechanics/Rockwell	6C/62N	Y	5-6102X*	
5.531	1.688	LWT	5.531	1.688	HWD	Mechanics/Rockwell	6C/62N	Y	6C-9X*	
5.531	1.688	HWD	5.531	1.688	HWD	Mechanics/Rockwell	6C/62N	Y	5-6106X*	5-6106X was replaced by 5-6111X
5.531	1.688	HWD	5.531	1.688	HWD	Spicer Italcardano	6C/62N	Y	050380000*	050380000 was replaced by 5-6111X
5.531	1.688	HWD	5.531	1.688	HWD	Spicer Italcardano	6C/62N	Y	050223000*	050223000 was replaced by 5-6111X
5.531	1.688	HWD	5.531	1.688	HWD	Mechanics/Rockwell	6C/62N	Y	050138000*	050138000 was replaced by 5-6111X; OEM kit; bolt part # 81530007, not included
5.531	1.688	HWD	5.531	1.688	HWD	Spicer Italcardano	6C/62N	Y	050138010*	050138010 was replaced by 5-6111X; bolt part # 81530007, not included
5.531	1.688	HWD	5.531	1.688	HWD	Mechanics/Rockwell	6C/62N	Y	5-6111X	
5.531	1.688	HWD	5.531	1.688	HWD	Spicer Italcardano	6C/62N	N	050273000*	050273000 was replaced by 5-6211X; bolt part # 81530007, not included
5.531	1.688	HWD	5.531	1.688	HWD	Spicer Italcardano	6C/62N	N	5-6211X	
5.531	1.688	TBC	5.844	1.938	HWD	Mechanics/Rockwell	6C/7C	Y	5-6109X*	

* Part has been discontinued

† Part is available until supply is exhausted

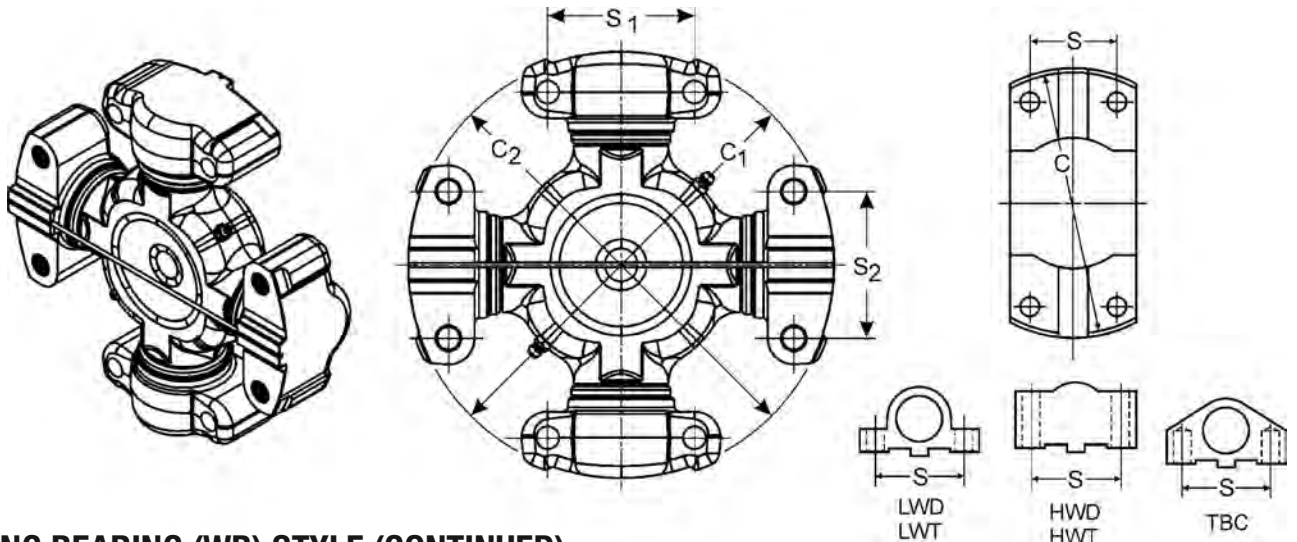
‡ Not sold separately



WING BEARING (WB) STYLE (CONTINUED)

C1 Pilot Diameter	S1 Centerline to Centerline	WB1 Cap Type	C2 Pilot Diameter	S2 Centerline to Centerline	WB2 Cap Type	OE Manufacturer	OE Series	Greasable	Spicer Part #	Notes
								Y=Yes N=No		
5.531	1.688	TBC	5.844	1.938	TBC	Mechanics/ Rockwell	6C/7C	Y	5-6108X*	
5.531	1.688	HWD	5.531	1.688	HWD	Mechanics/ Rockwell	6C/62N	Y	15-6111X	SVL by Dana
5.844	1.938	TBC	5.844	1.938	HWD	Mechanics/ Rockwell	7C/72N	Y	5-7202X†	5-7202X will be replaced by 5-7115X when supply is exhausted
5.844	1.938	HWD	5.844	1.938	TBC	Mechanics/ Rockwell	7C/72N	Y	5-7115X	
5.844	1.938	LWT	5.844	1.938	LWT	Mechanics/ Rockwell	7C/72N	Y	5-7000X*	
5.844	1.938	HWD	5.844	1.938	HWD	Spicer Italcardano	7C/72N	N	050915222	
5.844	1.938	HWD	5.844	1.938	HWD	Mechanics/ Rockwell	7C/72N	Y	5-7105X†	5-7105X will be replaced by 5-7111X when supply is exhausted
5.844	1.938	HWD	5.844	1.938	HWD	Spicer Italcardano	7C/72N	Y	050915010*	050915010 was replaced by 5-7111X; aftermarket kit; bolt part # 81530014, not included
5.844	1.938	HWD	5.844	1.938	HWD	Spicer Italcardano	7C/72N	Y	050915000*	050915000 was replaced by 5-7111X; OEM kit; bolt part # 81530014, not included
5.844	1.938	HWD	5.844	1.938	HWD	Spicer Italcardano	7C/72N	N	050280000*	050280000 was replaced by 5-7211X or 5-7211XM50 or 5-7211XM55; bolt part # 81530014, not included
5.844	1.938	HWD	5.844	1.938	HWD	Spicer Italcardano	7C/72N	Y	5-7111X	
5.844	1.938	HWD	5.844	1.938	HWD	Spicer Italcardano	7C/72N	Y	15-7111X	SVL by Dana
5.844	1.938	HWD	5.844	1.938	HWD	Spicer Italcardano	7C/72N	N	5-7211X	
5.844	1.938	HWD	5.844	1.938	HWD	Spicer Italcardano	7C/72N	N	5-7211XM50	Same as 5-7211X but metric bolts
6.500	2.812	HWD	6.500	2.812	HWD	Spicer Italcardano	8.5C	N	050281000*	050281000 was replaced by 5-85211X or 5-85211XM; bolt part # 81530015, not included
6.500	2.812	HWD	6.500	2.812	HWD	Spicer Italcardano	8.5C	N	5-85211X	
6.500	2.812	LWD	6.500	2.812	LWD	Spicer Italcardano	8.5C	Y	050964000*	050964000 was replaced by 5-85133X
6.500	2.812	LWD	6.500	2.812	LWD	Spicer Italcardano	8.5C	Y	5-85133X	
6.500	2.812	HWD	6.500	2.812	HWD	Spicer Italcardano	8.5C	Y	050246000*	050246000 was replaced by 5-85111X; OEM kit; dual Zerk in center of cross
6.500	2.812	HWD	6.500	2.812	HWD	Spicer Italcardano	8.5C	Y	5-85111X	

* Part has been discontinued † Part is available until supply is exhausted ‡ Not sold separately



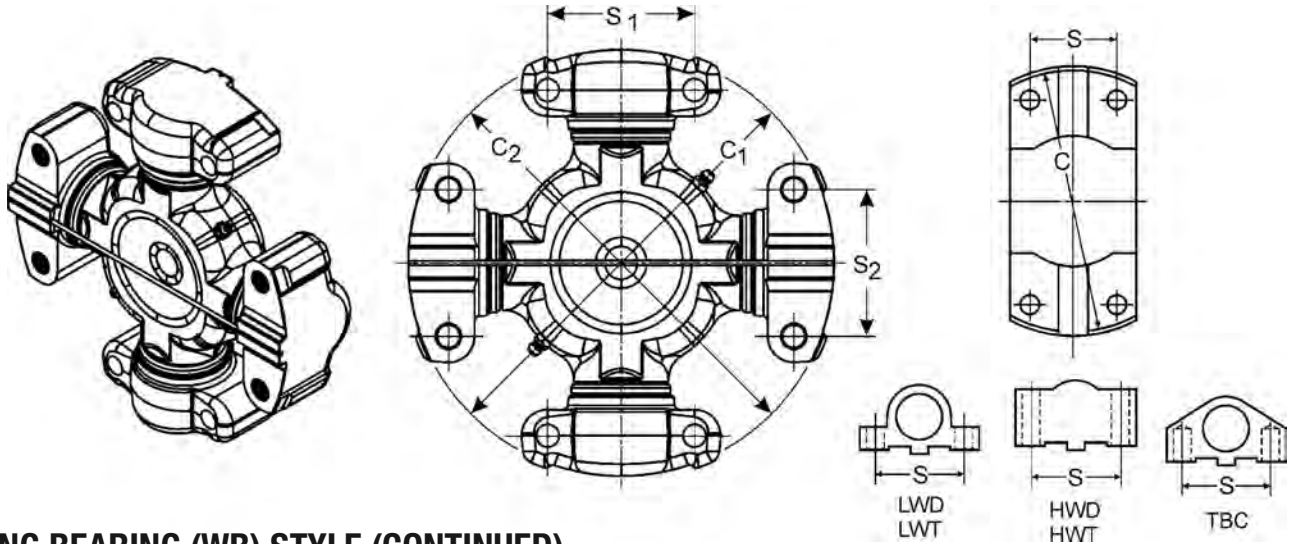
WING BEARING (WB) STYLE (CONTINUED)

C1	S1	WB1	C2	S2	WB2	OE Manufacturer	OE Series	Greasable Y=Yes N=No	Spicer Part #	Notes
Pilot Diameter	Centerline to Centerline	Cap Type	Pilot Diameter	Centerline to Centerline	Cap Type					
6.500	2.812	HWD	6.500	2.812	TBC	Spicer Italcardano	8.5C	Y	5-85115X	
6.500	2.812	HWD	6.500	2.812	HWD	Spicer Italcardano	8.5C	Y	15-85111X	SVL by Dana
6.500	2.812	HWD	6.500	2.812	HWD	Spicer Italcardano	8.5C	N	5-85211XM	Same as 5-85211X but metric bolts
8.125	1.938	LWT	8.125	1.938	LWT	Mechanics/ Rockwell	8C/82N	Y	5-8200X*	
8.125	1.938	TBC	8.125	1.938	HWD	Mechanics/ Rockwell	8C/82N	Y	5-8202X*	
8.125	1.938	HWD	8.125	1.938	HWD	Spicer Italcardano	8C/82N	N	050A64000*	050A64000 was replaced by 5-8211X; OEM kit; bolt part # 81530014, not included
8.125	1.938	HWD	8.125	1.938	HWD	Spicer Italcardano	8C/82N	N	5-8211X	
8.125	1.938	HWD	8.125	1.938	HWD	Mechanics/ Rockwell	8C/82N	Y	5-8105X*	5-8105X was replaced by 5-8111X
8.125	1.938	HWD	8.125	1.938	HWD	Spicer Italcardano	8C/82N	Y	050509000*	050509000 was replaced by 5-8111X; OEM kit; bolt part # 81530014, not included
8.125	1.938	HWD	8.125	1.938	HWD	Spicer Italcardano	8C/82N	Y	050509010†	050509010 will be replaced by 5-8111X when supply is exhausted; aftermarket kit; bolt part # 81530014, not included
8.125	1.938	HWD	8.125	1.938	HWD	Spicer Italcardano	8C/82N	Y	050A62000*	050A62000 was replaced by 5-8111X
8.125	1.938	HWD	8.125	1.938	HWD	Spicer Italcardano	8C/82N	Y	5-8111X	
8.125	1.938	HWD	8.125	1.938	HWD	Spicer Italcardano	8C/82N	Y	15-8111X	SVL by Dana
8.250	2.812	HWD	8.250	2.812	HWD	Mechanics/ Rockwell	9C/92N	Y	5-9001X†	5-9001X will be replaced by 5-9111X when supply is exhausted
8.250	2.812	HWD	8.250	2.812	HWD	Spicer Italcardano	9C/92N	Y	15-9111X	SVL by Dana
8.250	2.812	HWD	8.250	2.812	HWD	Mechanics/ Rockwell	9C/92N	Y	5-643X*	(2) 45° Zerks
8.250	2.812	HWT	8.250	2.812	HWD	Mechanics/ Rockwell	9C/92N	Y	5-9002X*	5-9002X was replaced by 5-9112X
8.250	2.812	HWD	8.250	2.812	HWT	Mechanics/ Rockwell	9C/92N	Y	5-9112X	
8.250	2.812	HWT	8.250	2.812	HWT	Mechanics/ Rockwell	9C/92N	Y	5-9000X*	5-9000X was replaced by 5-9122X
8.250	2.812	HWT	8.250	2.812	HWT	Spicer Italcardano	9C/92N	Y	5-9122X	

* Part has been discontinued

† Part is available until supply is exhausted

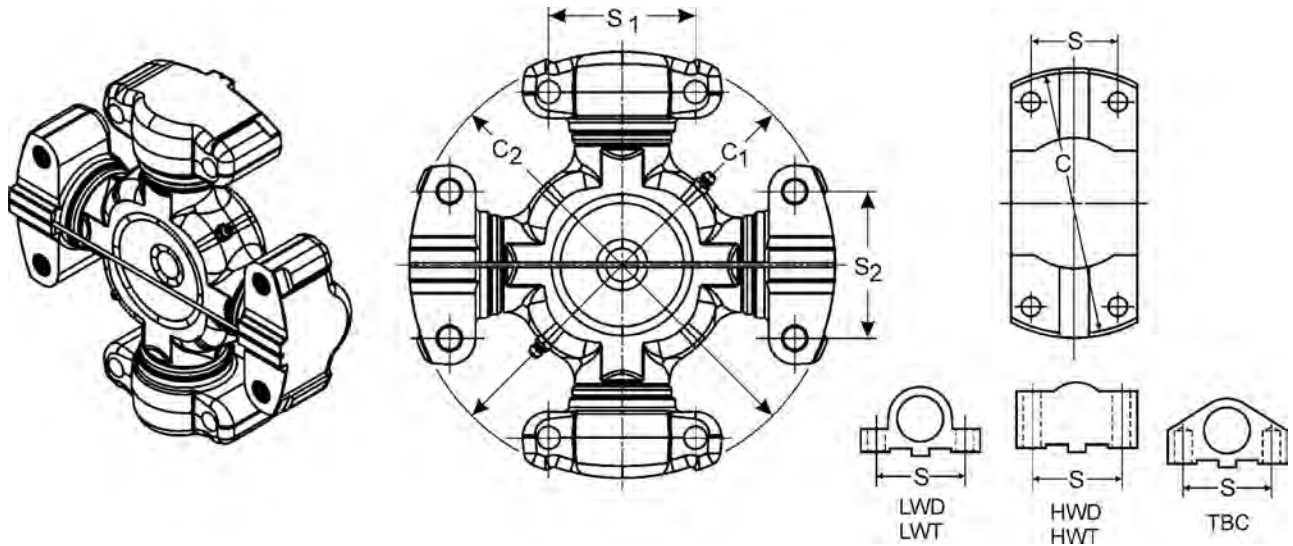
‡ Not sold separately



WING BEARING (WB) STYLE (CONTINUED)

C1	S1	WB1	C2	S2	WB2	OE Manufacturer	OE Series	Greasable Y=Yes N=No	Spicer Part #	Notes
Pilot Diameter	Centerline to Centerline	Cap Type	Pilot Diameter	Centerline to Centerline	Cap Type					
8.250	2.812	HWD	8.250	2.812	HWD	Spicer Italcardano	9C/92N	N	050427000*	050427000 was replaced by 5-9211X; OEM kit; bolt part # 81530015, not included
8.250	2.812	HWD	8.250	2.812	HWD	Spicer Italcardano	9C/92N	N	5-9211X	
8.250	2.812	HWD	8.250	2.812	HWD	Spicer Italcardano	9C/92N	Y	050231000*	050231000 was replaced by 5-9111X; OEM kit; 2 Zerks in cross
8.250	2.812	HWD	8.250	2.812	HWD	Spicer Italcardano	9C/92N	Y	5-9111X	
8.374	3.626	HWD	8.374	3.626	HWD	Spicer Italcardano	10C	N	050417000*	050417000 was replaced by 5-10211X or 5-10211XM
8.374	3.626	HWD	8.374	3.626	HWD	Spicer Italcardano	10C	N	050A53000*	050A53000 was replaced by 5-10211X or 5-10211XM; OEM kit; bolt part # 815300017, not included
8.374	3.626	HWD	8.374	3.626	HWD	Spicer Italcardano	10C	N	5-10211X	
8.374	3.626	HWD	8.374	3.626	HWD	Spicer Italcardano	10C	N	5-10211XM	Same as 5-10211X but metric bolts
8.374	3.626	HWD	8.374	3.626	HWD	Spicer Italcardano	10C	Y	050A58000	(2) 45° Zerks in cross
8.374	3.626	HWD	8.374	3.626	HWD	Spicer Italcardano	10C	Y	050242000†	050242000 will be replaced by 5-10111X when supply is exhausted; OEM kit; 2 Zerks in cross
8.374	3.626	HWD	8.374	3.626	HWD	Spicer Italcardano	10C	Y	050A52000*	050A52000 was replaced by 5-10111X
8.374	3.626	HWD	8.374	3.626	HWD	Spicer Italcardano	10C	Y	5-10111X	
8.750	3.500	HWD	8.750	3.500	HWD	TW Disc	J490	Y	5-10490X*	
8.750	3.500	HWD	8.750	3.500	HWD	Spicer Italcardano	11C	Y	050435000*	050435000 was replaced by 5-11111X; has 2 Zerks in cross
8.750	3.500	HWD	8.750	3.500	HWD	Spicer Italcardano	11C	Y	5-11111X	
8.750	3.500	HWD	8.750	3.500	HWD	Spicer Italcardano	11C	N	050A56000*	050A56000 was replaced by 5-11211X; OEM kit; bolt part # 815300004, not included
8.750	3.500	HWD	8.750	3.500	HWD	Spicer Italcardano	11C	N	5-11211X	
10.235	3.936	HWD	10.235	3.936	HWD	Spicer Italcardano	15C	Y	050523001*	050523001 was replaced by 5-15111X; has 2 Zerks in cross; OEM kit
8.750	3.500	HWD	8.750	3.500	HWD	Spicer Italcardano	11C	Y	050A55000*	050A55000 was replaced by 5-11111X; OEM kit; bolt part # 815300004, not included
10.235	3.936	HWD	10.235	3.936	HWD	Spicer Italcardano	15C	Y	5-15111X	
9.685	3.228	HWD	9.685	3.228	HWD	Spicer Italcardano	246-M210	Y	050781200*	Has 2 Zerks in cross; includes bolts
10.235	3.936	HWD	10.235	3.936	HWD	Spicer Italcardano	15C	N	050A69000*	050A69000 was replaced by 5-15211X

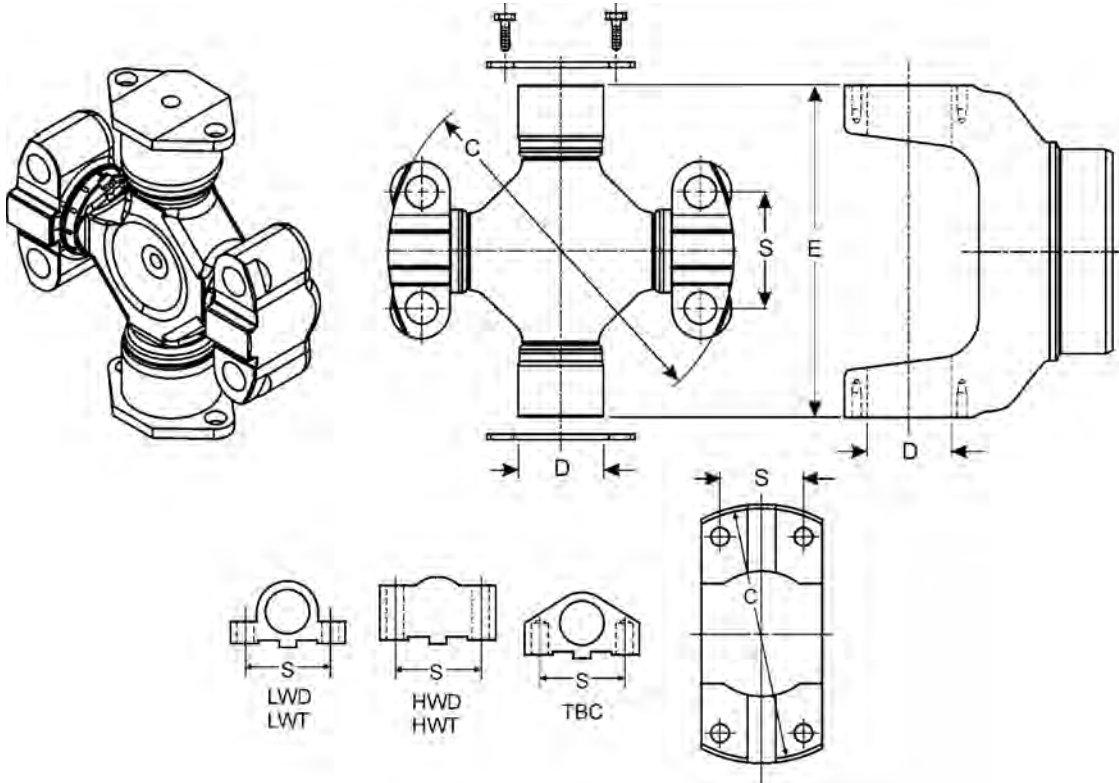
* Part has been discontinued † Part is available until supply is exhausted ‡ Not sold separately



WING BEARING (WB) STYLE (CONTINUED)

C1	S1	WB1	C2	S2	WB2	OE Manufacturer	OE Series	Greasable Y=Yes N=No	Spicer Part #	Notes
Pilot Diameter	Centerline to Centerline	Cap Type	Pilot Diameter	Centerline to Centerline	Cap Type					
10.235	3.936	HWD	10.235	3.936	HWD	Spicer Italcardano	15C	N	5-15211X	
11.024	3.622	HWD	11.024	3.622	HWD	Spicer Italcardano	12.5C	Y	050518000*	050518000 was replaced by 5-125111X; OEM kit, 2 Zerks in cross
11.024	3.622	HWD	11.024	3.622	HWD	Spicer Italcardano	12.5C	Y	5-125111X	
11.374	3.326	HWD	11.374	3.326	HWD	Spicer Italcardano	12C	Y	050A89000*	050A89000 was replaced by 5-12111X; low temperature grease; bolt part # 815180001, not included
11.374	3.626	HWD	11.374	3.626	HWD	Spicer Italcardano	12C	Y	050A54000*	050A54000 was replaced by 5-12111X; has 2 Zerks in cross; OEM kit
11.374	3.626	HWD	11.374	3.626	HWD	Spicer Italcardano	12C	N	050111000*	050111000 was replaced by 5-12211X; OEM kit; bolt part # 815180001, not included
11.374	3.626	HWD	11.374	3.626	HWD	Spicer Italcardano	12C	Y	050A68000*	050A68000 was replaced by 5-12111X; (2) 90° Zerks in cross; OEM kit
11.374	3.626	HWD	11.374	3.626	HWD	Spicer Italcardano	12C	Y	5-12111X	
11.374	3.626	HWD	11.374	3.626	HWD	Spicer Italcardano	12C	N	050A84000*	050A84000 was replaced by 5-12211X
11.374	3.626	HWD	11.374	3.626	HWD	Spicer Italcardano	12C	N	5-12211X	
12.204	4.213	HWD	12.204	4.213	HWD	Spicer Italcardano	14.5C	N	050421000†	050421000 will be replaced by 5-145211X when supply is exhausted; OEM kit
12.204	4.213	HWD	12.204	4.213	HWD	Spicer Italcardano	14.5C	N	5-145211X	
13.339	5.310	HWD	13.339	5.310	HWD	Spicer Italcardano	14C	N	050101000*	050101000 was replaced by 5-14211X; bolt part # 81493001, not included
13.339	5.310	HWD	13.339	5.310	HWD	Spicer Italcardano	14C	Y	050A51000*	050A51000 was replaced by 5-14111X; OEM kit; dual Zerk in center of cross
13.339	5.310	HWD	13.339	5.310	HWD	Spicer Italcardano	14C	Y	050A85000*	050A85000 was replaced by 5-14111X; bolt part # 814930001, not included; Zerk in center of cross
13.339	5.310	HWD	13.339	5.310	HWD	Spicer Italcardano	14C	Y	5-14111X	
12.204	4.213	HWD	12.204	4.213	HWD	Spicer Italcardano	14.5C	Y	5-145111X	
13.339	5.310	HWD	13.339	5.310	HWD	Spicer Italcardano	14C	N	5-14211X	

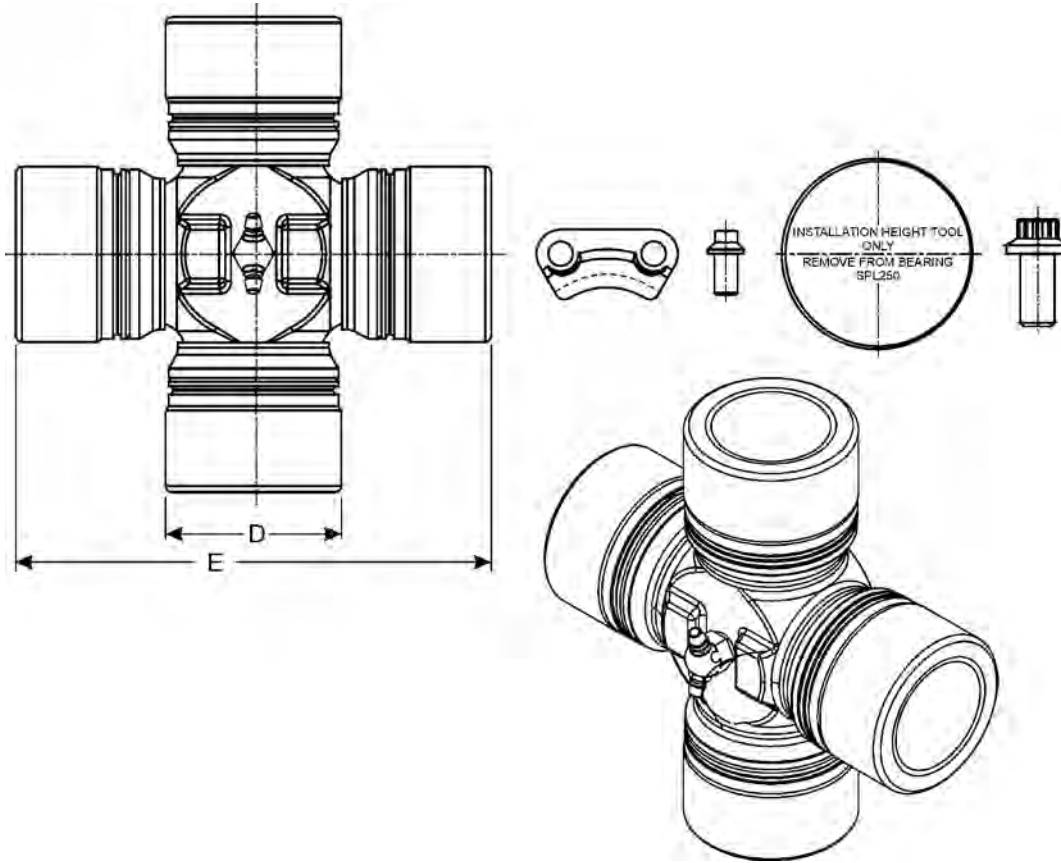
* Part has been discontinued † Part is available until supply is exhausted ‡ Not sold separately



BEARING PLATE/WING BEARING (BP/WB) STYLE

E Between Caps	D Bearing Cap Diameter	C Pilot Diameter	S Between Holes	WB Cap Type	Converts		Greasable Y=Yes N=No	Spicer Part #	Notes
					From This Series	To This Series Part			
5.312	1.875	5.606	2.400	HWD	Bradley	1610	Y	5012401	Bradley Military Vehicle (painted)
5.312	1.875	5.606	2.400	HWD	Bradley	1610	Y	5-450X	Bradley Military Vehicle
6.094	1.938	6.375	2.438	HWD	1710	J210	Y	5-705X*	
6.094	1.938	6.500	2.812	HWD	1710	8.5C/85WB	Y	5-704X*	
7.547	1.938	8.250	2.812	LWT	1810	9C/92N	Y	5-696X*	
7.547	1.938	8.250	2.812	HWD	1810	9C/92N	Y	5-727X*	5-727X was replaced by 5-324X
7.547	1.938	8.250	2.812	HWD	1810	9C/92N	Y	5-324X	
7.547	1.938	8.250	2.812	HWD	1810	9C/92N	Y	15-324X	SVL by Dana
8.094	2.188	8.250	2.812	HWD	1880	9C/92N	Y	5-326X	
8.094	2.188	8.250	2.812	HWT	1880	9C/92N	Y	5-327X	
8.094	2.188	8.250	2.812	HWD	1880	9C/92N	Y	5-642X	(2) 45° Zerks

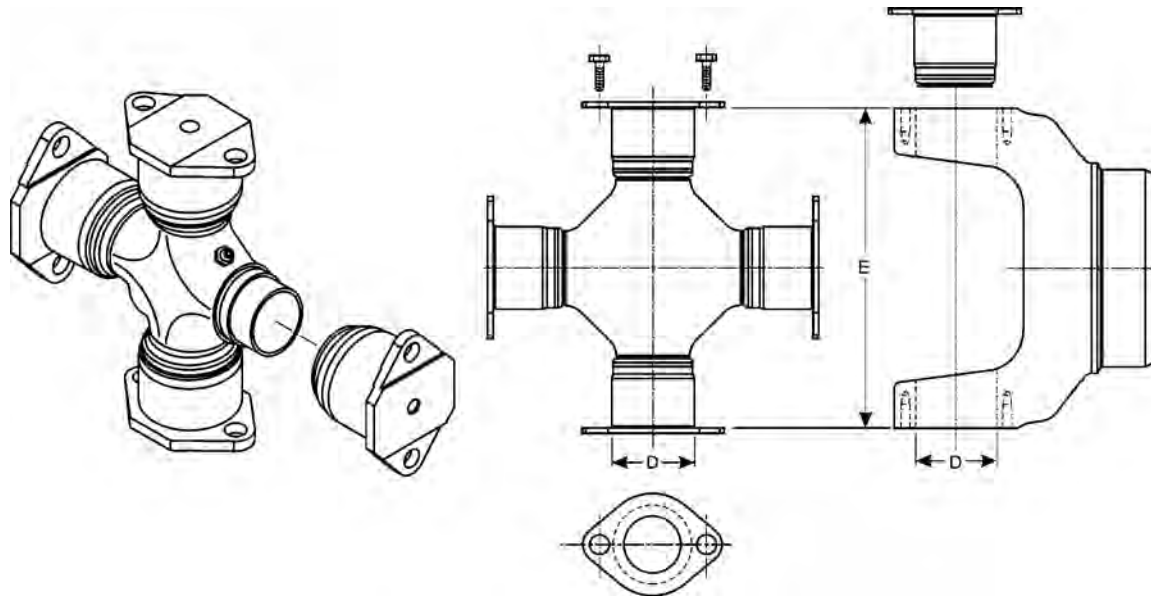
* Part has been discontinued † Part is available until supply is exhausted ‡ Not sold separately



SPICER LIFE SERIES™ (SPL) STYLE (SPRING TAB STYLE)

E	E	D	D	OE Manufacturer	OE Series	Greasable	Spicer Part #	Notes
Over Caps (mm)	Over Caps (std)	Bearing Cap Diameter (mm)	Bearing Cap Diameter (std)			Y=Yes N=No		
138.71	5.461	49.20	1.937	Spicer	SPL140	Y	SPL140X	
164.00	6.456	55.00	2.165	Spicer	SPL170	Y	SPL170-3X*	SPL170-3X was replaced by SPL170-4X
164.00	6.456	55.00	2.165	Spicer	SPL170	Y	SPL170X*	SPL170X was replaced by SPL170-4X
164.00	6.456	55.00	2.165	Spicer	SPL170	Y	SPL170-4X	
164.00	6.456	55.00	2.165	Spicer	SPL170	N	SPL170-SF4X	
163.00	6.417	60.00	2.362	Spicer	SPL250	Y	SPL250X*	SPL250X was replaced by SPL250-3X
163.00	6.417	60.00	2.362	Spicer	SPL250	Y	SPL250-3X	
163.00	6.417	60.00	2.362	Spicer	SPL250	N	SPL250-SF3X	

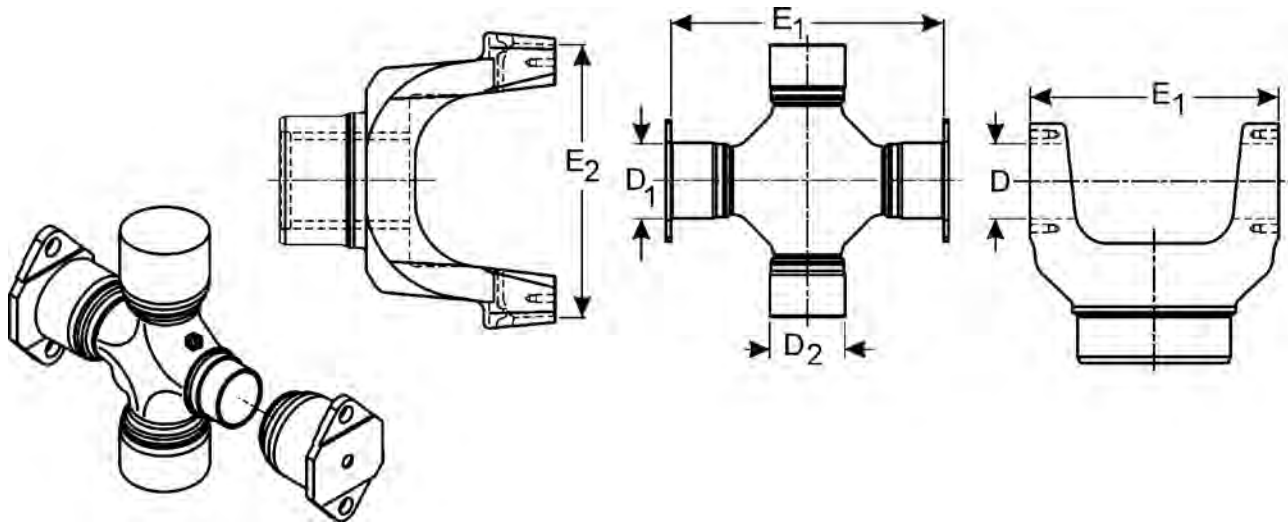
* Part has been discontinued † Part is available until supply is exhausted ‡ Not sold separately



BEARING PLATE (BP) STYLE

E Between Caps	D Bearing Cap Diameter	OE Manufacturer	OE Series	Greasable	Spicer Part #	Notes
				Y=Yes N=No		
4.562	1.562	Spicer	1500	Y	5-115X*	5-115X was replaced by 5-3252X
4.562	1.562	Spicer	1500	Y	5-3252X	
5.312	1.875	Spicer	1610	Y	5-279X	
5.312	1.875	Spicer	1610	Y	15-279X	SVL by Dana
6.094	1.938	Spicer	1710	Y	5-280-4X*	4 lube fittings in journal
6.094	1.938	Spicer	1710	Y	5-280X	
6.094	1.938	Spicer	1710	Y	15-280X	SVL by Dana
6.594	2.321	Spicer	1800	Y	5-124X*	
7.000	1.938	Spicer	1760	Y	5-407X	
7.000	1.938	Spicer	1760	Y	15-407X	SVL by Dana
7.547	1.938	Spicer	1810	Y	5-281-4X*	Has 4 Zerks in cross
7.547	1.938	Spicer	1810	Y	5-281X	
7.547	1.938	Spicer	1810	Y	15-281X	SVL by Dana
8.094	2.188	Spicer	1880	Y	5-308X	
8.781	2.812	Spicer	1900	Y	5-54X*	Has 4 bolt holes in bearing plate

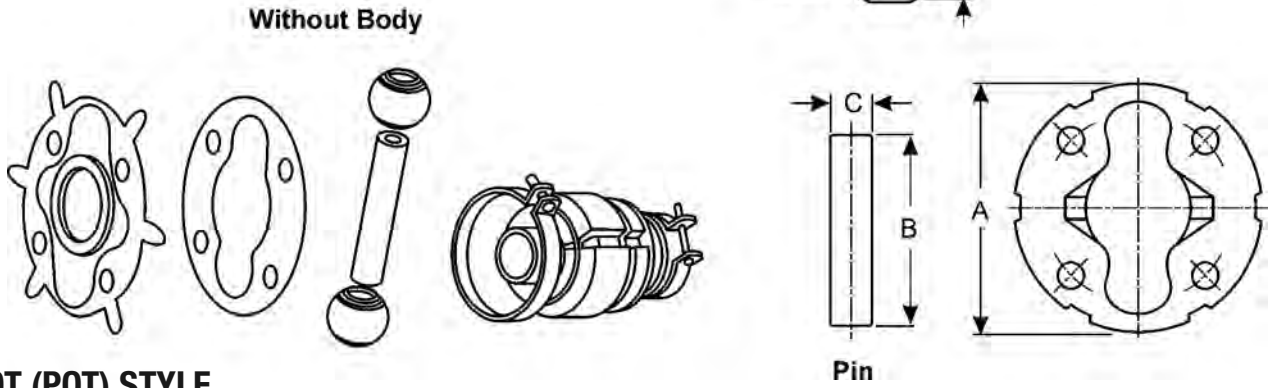
* Part has been discontinued † Part is available until supply is exhausted ‡ Not sold separately



HALF ROUND (HR) STYLE

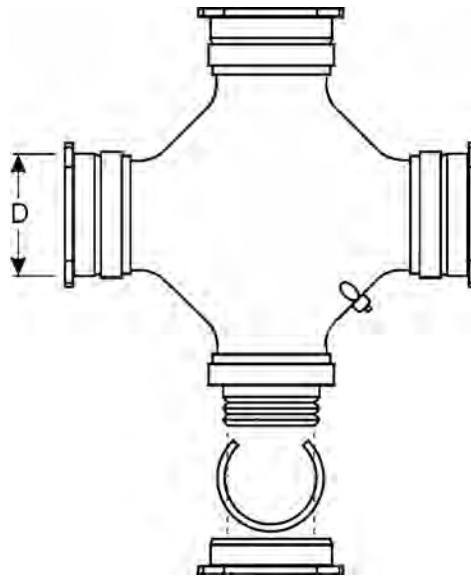
E1 Between Caps	D1 Bearing Cap Diameter	E2 Over Bearing Caps	D2 Bearing Cap Diameter	OE Manufacturer	OE Series	Greasable	Spicer Part #	Notes
						Y=Yes N=No		
5.312	1.875	5.312	1.875	Spicer	1610	N	5001247	Has 2 plugs in place of the Zerks
5.312	1.875	5.312	1.875	Spicer	1610	N	5-610X*	
5.312	1.875	5.312	1.875	Spicer	1610	Y	5-777X	Same as 5-674X w/o strap kit
5.312	1.875	5.312	1.875	Spicer	1610	Y	5-585XM	Metric bolts w/ lock strap; grease Zerk in center of cross
5.312	1.875	5.312	1.875	Spicer	1610	Y	5-438X*	5-438X was replaced by 5-674X
5.312	1.875	5.312	1.875	Spicer	1610	Y	5-674X	Includes strap kit
5.312	1.875	5.312	1.875	Spicer	1610	Y	15-674X	SVL by Dana
5.312	1.875	5.312	1.875	Spicer	1610	Y	5-423X	Grease Zerk in center of cross
6.094	1.938	6.094	1.938	Spicer	1710	Y	5-746X	Includes metric bolts used on bearing cap
6.094	1.938	6.094	1.938	Spicer	1710	Y	5-773X	Same as 5-675X but uses/includes strap with metric bolts
6.094	1.938	6.094	1.938	Spicer	1710	Y	5-515X*	5-515X was replaced by 5-675X
6.094	1.938	6.094	1.938	Spicer	1710	Y	5-671X†	5-671X will be replaced by 5-675X when supply is exhausted; thrustwashers in bearing cap
6.094	1.938	6.094	1.938	Spicer	1710	Y	5-675X	Includes strap kit
6.094	1.938	6.094	1.938	Spicer	1710	Y	15-675X	SVL by Dana
7.000	1.938	7.000	1.938	Spicer	1760	Y	5-469X*	5-469X was replaced by 5-677X
7.000	1.938	7.000	1.938	Spicer	1760	Y	5-677X	Includes strap kit
7.000	1.938	7.000	1.938	Spicer	1760	Y	15-677X	SVL by Dana
7.547	1.938	7.547	1.938	Spicer	1810	Y	5-510X*	5-510X was replaced by 5-676X
7.547	1.938	7.547	1.938	Spicer	1810	Y	5-676X	Includes strap kit
7.547	1.938	7.547	1.938	Spicer	1810	Y	15-676X	SVL by Dana

* Part has been discontinued † Part is available until supply is exhausted ‡ Not sold separately



POT (POT) STYLE

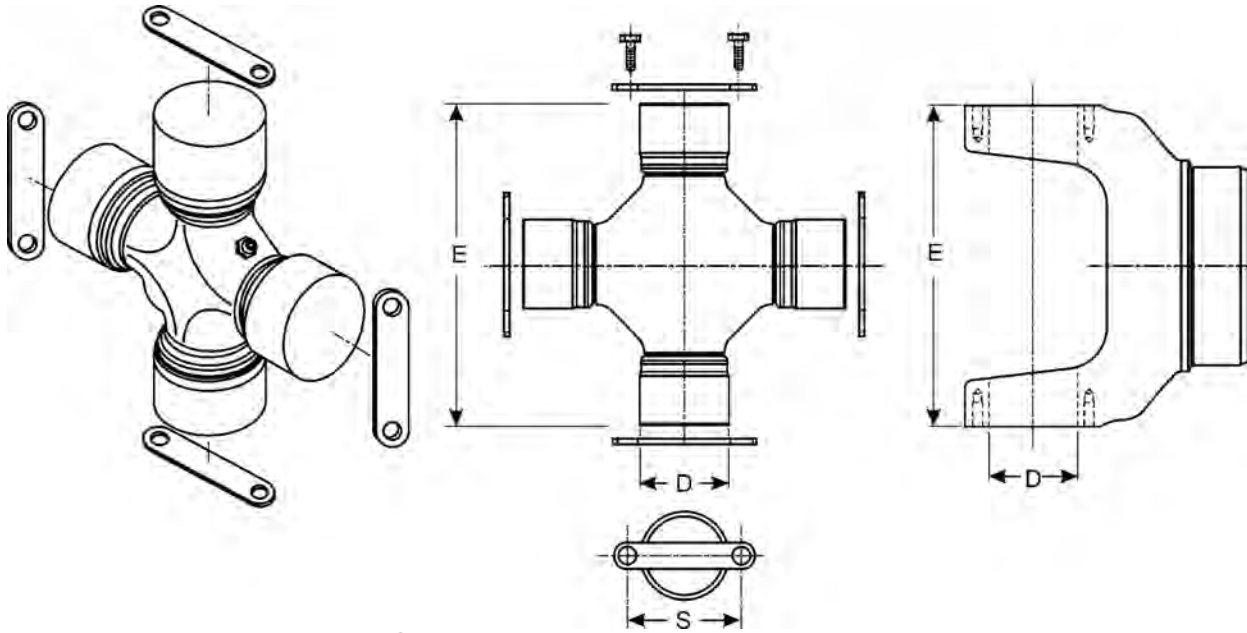
A	B	C	D	E	Spicer Part #
Flange Diameter	Pin Length	Pin Diameter	Ball Diameter	Ball Thickness	
3.625	2.969	0.562	1.031	0.6090	5-1407X*
4.000	2.875	0.562	1.031	0.6090	5-1405X*



THREADED CAP (THDCAP) STYLE

Over Caps	D	Thread Size	OE Series	Greasable	Spicer Part #
	Bearing Cap Diameter			Y=Yes N=No	
2.934	1.125	0.938-20	Chev	Y	5-3031X*

* Part has been discontinued † Part is available until supply is exhausted ‡ Not sold separately



THREADED PLATE (THDPLT) STYLE

E Over Caps	D1 Bearing Cap Diameter	S Bolt Hole C-Line to C-Line	OE Manufacturer	OE Series	Greasable	Spicer Part #	Notes
					Y=Yes N=No		
4.188	1.375	1.750	Cleveland	D56	Y	5-1214X*	5-1214X was replaced by 5-3260-1X; bearing plates not supplied with kit
4.188	1.375	1.750	Cleveland	D56-55-2	Y	5-3260-1X	
4.965	1.375	1.750	Cleveland	U56-55-2	Y	5-3261X	

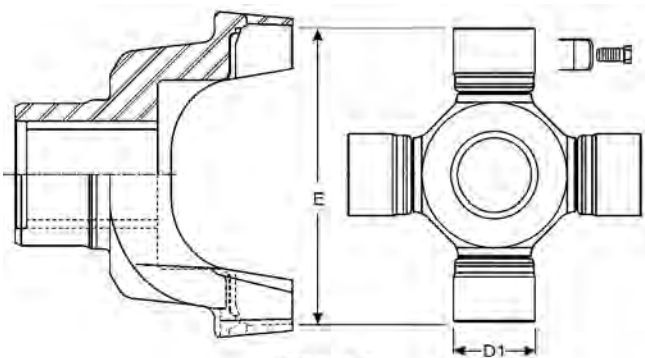


Figure 1

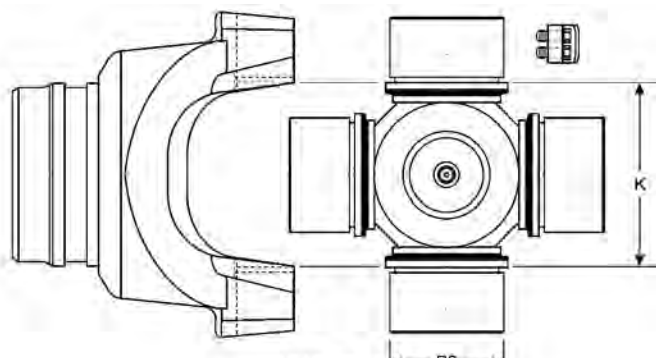
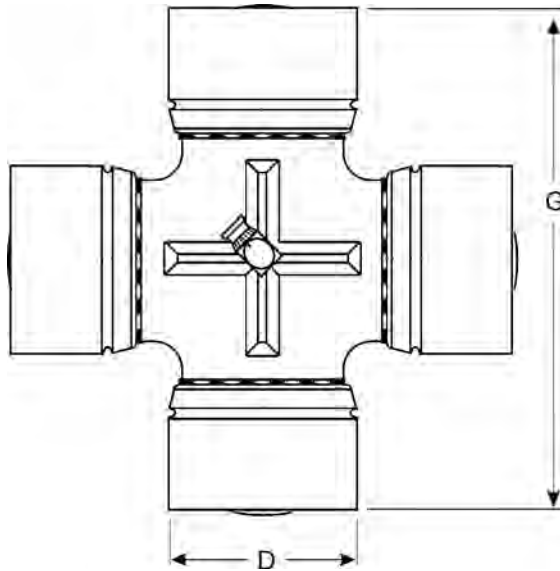


Figure 2

CAP AND BOLT (CB) STYLE REPLACEMENT KITS

Figure 1		Figure 2		OE Manufacturer	OE Series	Greasable	Spicer Part #
E Over Caps	D1 Bearing Cap Diameter	K Bolt Hole C-Line to C-Line	D2 Bearing Cap Diameter			Y=Yes N=No	
		5.665	2.565	Spicer	1910	Y	5-316X*
10.046	3.062			Spicer	1950	Y	5-339X*
12.343	3.812			Spicer	2050	Y	5-340X*

* Part has been discontinued † Part is available until supply is exhausted ‡ Not sold separately



OUTSIDE SNAP RING (OSR) STYLE GWB REPLACEMENT KITS

G Over Caps	D Bearing Cap Diameter	OE Manufacturer	OE Series
1.614	0.591	Spicer GWB	473.10
1.937	0.748	Spicer GWB	473.20
1.976	0.866	Spicer GWB	373.20
2.323	0.866	Spicer GWB	473.30
2.409	0.937	Spicer GWB	687.10
2.748	1.024	Spicer GWB	287.00
2.933	1.063	Spicer GWB	687.15
3.220	1.181	Spicer GWB	287.10
3.220	1.189	Spicer GWB	687.20
3.622	1.374	Spicer GWB	687.25
3.811	1.378	Spicer GWB	287.20
3.811	1.378	Spicer GWB	587.10
4.114	1.654	Spicer GWB	587.15
4.165	1.496	Spicer GWB	387.20
4.198	1.374	Spicer GWB	687.30
4.587	1.890	Spicer GWB	587.20

G Over Caps	D Bearing Cap Diameter	OE Manufacturer	OE Series
4.701	1.654	Spicer GWB	687.35
4.913	1.732	Spicer GWB	287.30
5.236	2.047	Spicer GWB	587.30
5.322	1.874	Spicer GWB	687.40
5.669	2.244	Spicer GWB	587.35
5.745	2.047	Spicer GWB	687.45
5.984	2.244	Spicer GWB	687.55
5.987	2.244	Spicer GWB	587.42
6.024	1.969	Spicer GWB	287.40
6.457	2.165	Spicer GWB	387.40
6.602	2.323	Spicer GWB	687.60
6.772	2.559	Spicer GWB	687.65
6.772	2.559	Spicer GWB	587.48
7.283	2.835	Spicer GWB	587.50
8.534	2.913	Spicer GWB	587.55
9.110	3.267	Spicer GWB	587.60

If you would like more information on GWB driveshafts, visit www.gwbdriveshaft.com, www.dana.com, or call 1.800.621.8084.

* Part has been discontinued † Part is available until supply is exhausted ‡ Not sold separately



Supersession/Obsolescence List

Obsolete Part #	Series/Model	Status	Replaced By (Where Applicable)
050021000	2C	Obsolete	No replacement
050101000	14C	Superseded	5-14211X
050111000	12C	Superseded	5-12211X
050138000	6C	Superseded	5-6111X
050138010	6C	Superseded	5-6111X
050223000	6C	Superseded	5-6111X
050231000	9C	Superseded	5-9111X
050232	14.5C	Superseded	5-145111X
050232000	14.5C	Superseded	5-145111X
050238000	2C	Obsolete	No replacement
050239000	2C	Obsolete	No replacement
050239010	2C	Obsolete	No replacement
050242000	10C	Superseded	5-10111X
050242020	10C	Superseded	050A58000
050246000	8.5C	Superseded	5-85111X
050261000	8.5C	Superseded	5-85111X
050273000	6C	Superseded	5-6211X
050280000	7C	Obsolete	5-7211X or 5-7211XM50 or 5-7211XM55
050281000	8.5C	Obsolete	5-85211X or 5-85211XM
050370000	5C	Obsolete	5-5211X or 5-5211XM
050380000	6C	Superseded	5-6111X
050417000	10C	Obsolete	5-10211X or 5-10211XM
050421000	14.5C	Superseded	5-145211X
050427000	9C	Superseded	5-9211X
050435000	11C	Superseded	5-11111X
050509000	8C	Superseded	5-8111X
050509010	8C	Superseded	5-8111X
050518	12.5C	Superseded	5-125111X
050518000	12.5C	Superseded	5-125111X
050523001	15C	Superseded	5-15111X
050734010	4C	Superseded	5-4144X
050742000	4C	Superseded	5-4111X
050742010	4C	Superseded	5-4111X
050742020	4C	Superseded	5-4211X
050776010	5C	Superseded	5-5111X
050776020	5C	Superseded	5-5111X
050781200	11.5C	Obsolete	No replacement
050915000	7C	Superseded	5-7111X
050915010	7C	Superseded	5-7111X
050964000	8.5C	Superseded	5-85133X
050A48010	2C	Obsolete	No replacement
050A51000	14C	Superseded	5-14111X
050A52000	10C	Superseded	5-10111X
050A53000	10C	Obsolete	5-10211X or 5-10211XM
050A54000	12C	Superseded	5-12111X
050A55000	11C	Superseded	5-11111X
050A56000	11C	Superseded	5-11211X
050A62000	8C	Superseded	5-8111X
050A64000	8C	Superseded	5-8211X
050A68000	12C	Superseded	5-12111X
050A69000	15C	Superseded	5-15211X
050A84000	12C	Superseded	5-12211X
050A85000	14C	Superseded	5-14111X
050A89000	12C	Superseded	5-12111X
15-103X	1000	Obsolete	No replacement
15-1306X	7260	Obsolete	No replacement

Obsolete Part #	Series/Model	Status	Replaced By (Where Applicable)
15-1309X	7290	Obsolete	No replacement
15-308X	1880	Obsolete	No replacement
15-326X	1880/9C	Obsolete	No replacement
4519302	1310	Superseded	5-3204X
5001919	SPL25	Superseded	5-1330-1X
5002322	1310	Superseded	5-1310X
5003096	1310	Superseded	5-1330X
5003097	1330/3R	Superseded	5-793X
5004891	1350WJ	Superseded	5-7166X
5004947	1330	Superseded	5-1330X
5009484	1350	Superseded	5-1350X
5009485	1350	Superseded	5-1350-1X
5012578	1350	Superseded	5-1350X
5013613	1310	Superseded	5-3613X
5013614	1330	Superseded	5-3614X
5013615	1350	Superseded	5-3615X
5013616	1410	Superseded	5-3616X
5017166	1350WJ	Superseded	5-7166X
5017436	1330/S44	Superseded	5-793X
5018811	1310	Superseded	5-3200X
5018812	BMW/Mazda	Superseded	5-3201X
5018813	1310	Superseded	5-3202X
5018814	1310	Superseded	5-3203X
5018815	S44/1350	Superseded	5-3205X
5019187	1350	Superseded	5-1350X
5-102X	1100SG	Obsolete	No replacement
5-111X	1100	Superseded	5-101X
5-115X	1500	Superseded	5-3252X
5-1201X	S55	Superseded	5-7439X
5-1202X	S55	Obsolete	No replacement
5-1205X	R55	Superseded	5-3250X
5-1206X	1410	Superseded	5004989
5-1214X	Clev.D56	Superseded	5-3260-1X
5-121X	1260	Superseded	5-153X
5-121XU	1310	Superseded	5-153X
5-122X	1310	Superseded	5-153X
5-124X	1800	Obsolete	No replacement
5-125X	1260	Superseded	5-810X
5-1300X	5160	Superseded	5-3251X
5-1304X	7260	Obsolete	No replacement
5-1306-1X	7260	Superseded	5-789X
5-1306X	7260	Superseded	5-789X
5-1306XS	7260	Superseded	5-789X
5-1307X	7260	Superseded	5-789X
5-130X	1330	Superseded	5-213X
5-1312X	1330F-3R3	Superseded	5-3255X
5-132X	1310	Superseded	5-153X
5-138X	1310/1330	Superseded	5-134X
5-1404X	Det Pot	Obsolete	No replacement
5-1405X	Det Pot	Obsolete	No replacement
5-1407X	Det Pot	Obsolete	No replacement
5-1507X	Ford/Maz	Superseded	5-3216X
5-150X	1310/3R	Superseded	5-3022-1X
5-1510-1X	Toyota	Superseded	5-1510X
5-1520X	2.5R	Superseded	5-3219-1X
5-153X25	1310	Superseded	5-153X
5-158X	1550	Superseded	SPL70-1X
5-163X	1310	Superseded	5-153X
5-17166X	1350WJ	Superseded	5-7166X
5-171X	1710	Superseded	5-280X
5-177X	1710	Superseded	5-280X
5-181X	1100	Superseded	5-101X

Supercession/Obsolescence List

SPICER®



Obsolete Part #	Series/Model	Status	Replaced By (Where Applicable)
5-185X	1850	Obsolete	No replacement
5-186X	1850/92N	Obsolete	No replacement
5-187X	1880	Obsolete	No replacement
5-2000X	2C	Superseded	5-2031X
5-2002X	2C	Obsolete	No replacement
5-2007X	2C	Superseded	5-3242X
5-200X	1310	Superseded	5-153X
5-2011X	2R	Superseded	5-3242X
5-2033X	2C	Obsolete	No replacement
5-213-X	1330	Superseded	5-213X
5-214X	1410	Superseded	5-160X
5-220X	1550/6C	Superseded	6C-5X
5-221X	1550/6C	Superseded	6C-3X
5-229X	1330	Superseded	5-1330X
5-230X	1330	Superseded	5-213X
5-231X	3RL/1330	Superseded	5-212X
5-233X	1710	Superseded	5-280X
5-249X	1110/1210	Superseded	5-248X
5-251X	1280	Superseded	5-810X
5-252X	1310	Superseded	5-1310X
5-2530X	1310/2.5R	Superseded	5-3247X
5-254X	3RL/1330	Superseded	5-212X
5-255X	1310	Superseded	5-1310-1X
5-256X	1310	Superseded	5-153X
5-260-1X	1310	Superseded	5-260X
5-262X	1410	Superseded	5-1410-1X
5-263X	1480	Superseded	5-188X
5-269X	1100	Obsolete	No replacement
5-273X	1310	Superseded	5-213X
5-275X	1550	Superseded	SPL70-1X
5-278X	1310	Superseded	5-153X
5-282X	1350	Superseded	5-1350X
5-283X	1310	Superseded	5-1310X
5-296X	1350	Superseded	5-1350X
5-297-1X	1310	Superseded	5-3226X
5-297X	1310WJ	Superseded	5-760X
5-3000X	3C	Superseded	5-3144X
5-3012X	S44/3CRL	Superseded	5-3264X
5-3022X	1310/3R	Superseded	5-3022-1X
5-3031X	3R-CV	Obsolete	No replacement
5-303X	1550/6C	Superseded	6C-3X
5-304X	1550	Superseded	5-155X
5-305X	1410	Superseded	5004989
5-306X	1710	Superseded	5-280X
5-315X	1210	Superseded	5-443X
5-3163X	7290/S44	Obsolete	No replacement
5-316X	1910	Obsolete	No replacement
5-319X	1480	Superseded	SPL55-1X
5-325X	1550	Superseded	SPL70X
5-331X	1650/7C	Obsolete	No replacement
5-332X	1480	Superseded	SPL55-3X
5-338X	1880/9C	Superseded	5-326X
5-339X	1850	Obsolete	No replacement
5-340X	2050	Obsolete	No replacement
5-344X	1310/1330	Superseded	5-134X
5-347X	1480/5C	Superseded	5C-3X
5-348X	1480/5C	Superseded	5C-5X
5-350X	1310	Obsolete	5-3254X
5-353X	1310/7260	Superseded	5-788X
5-354X	1310/7290	Superseded	5-3222X
5-372X	193	Obsolete	No replacement
5-373AX	2210	Obsolete	No replacement

Obsolete Part #	Series/Model	Status	Replaced By (Where Applicable)
5-373X	2210	Obsolete	No replacement
5-4002X	4C	Superseded	5-4144X
5-4014X	4C	Obsolete	No replacement
5-4015X	4R	Obsolete	No replacement
5-4016X	4C	Obsolete	No replacement
5-409X	1330	Superseded	5-7438X
5-4140X	4C	Superseded	5-4112X
5-4143X	4C	Superseded	5-4111X
5-418X	1480/5C	Superseded	5C-3X
5-419X	1310	Superseded	5-153X
5-429X	1410	Obsolete	No replacement
5-432X	55N	Superseded	5-3225X
5-433-1X	1310	Superseded	5-1310-1X
5-438X	1610	Superseded	5-674X
5-447X	1350	Superseded	5-3615X
5-456X	1210WJ	Superseded	5-3215X
5-461X	1710	Superseded	5-675X
5-462X	1410	Superseded	5-1410-1X
5-467X	1310	Superseded	5-3613X
5-469X	1760	Superseded	5-677X
5-471X	1350	Superseded	5-1350-1X
5-477X	1310	Superseded	5-153X
5-479X	1330	Superseded	5-213X
5-480X	1350	Superseded	5-178X
5-481X	1410	Superseded	5-160X
5-482X	1480	Superseded	5-188X
5-483X	1550	Superseded	5-155X
5-485X	1480	Superseded	5-188X
5-4X	1300	Superseded	5-3214X
5-5000X	5C	Obsolete	No replacement
5-5008X	5C	Obsolete	No replacement
5-510X	1810	Superseded	5-676X
5-511X	1310	Superseded	5-153X
5-515X	1710	Superseded	5-675X
5-5177X	5C	Superseded	5-5111X
5-517X	1330	Superseded	5-1330X
5-521X	1330	Superseded	5-3614X
5-523X	1550	Superseded	5-275X
5-526X	1210	Superseded	5-443X
5-527X	7260/7290	Superseded	5-3244X
5-529X	1310	Superseded	5-1310X
5-541X	1330/3R	Superseded	5-793X
5-542X	1350	Superseded	5-1350-1X
5-543X	1550	Superseded	5-155X
5-544X	1310/3R	Obsolete	No replacement
5-546X	1550	Obsolete	No replacement
5-547X	1210	Superseded	5-443X
5-54X	1900	Obsolete	No replacement
5-565X	1590	Superseded	SPL100-1X
5-5800X	58WB	Obsolete	No replacement
5-584X	1350	Superseded	5-178X
5-589X	7260	Obsolete	No replacement
5-599X	1330/7260	Superseded	5-3246X
5-6000X	6C	Obsolete	No replacement
5-6102X	6C	Obsolete	No replacement
5-6106X	6C	Superseded	5-6111X
5-6108X	6C/7C	Obsolete	No replacement
5-6109X	6C/7C	Obsolete	No replacement
5-6110X	6C	Superseded	5-6111X
5-611-1X	1310	Obsolete	No replacement
5-617X	1350	Superseded	5-3615X
5-618X	1330	Superseded	5-1330X

For more information on Spicer products, visit SpicerParts.com. For our e-catalog and parts locator, visit DanaAftermarket.com.



Obsolete Part #	Series/Model	Status	Replaced By (Where Applicable)
5-619X	1330/S44	Superseded	5-793X
5-620X	1330	Superseded	5-3614X
5-621X	1330/S44	Superseded	5-793X
5-624X	2C	Obsolete	No replacement
5-625X	1310	Superseded	5-1310X
5-626X	1310	Superseded	5-3613X
5-627X	1350	Superseded	5-1350X
5-631X	1330 Alum	Superseded	5-3614X
5-632X	1310SPEC	Superseded	5-7439X
5-633X	1330	Superseded	5-7438X
5-634X	1310/7260	Superseded	5-788X
5-635X	1330/7290	Superseded	5-7437X
5-636X	7290	Superseded	5-811X
5-637X	1330/7290	Superseded	5-7437X
5-641X	1410	Superseded	5-1410X
5-643X	9C/92N	Obsolete	No replacement
5-647X	1310/7260	Obsolete	No replacement
5-671X	1710	Superseded	5-675X
5-672X	1330/7290	Superseded	5-7437X
5-688X	1330/3C	Obsolete	No replacement
5-689X	1330/3C	Obsolete	No replacement
5-696X	1810/9C	Obsolete	No replacement
5-7000X	7C	Obsolete	No replacement
5-7105X	7C	Superseded	5-7111X
5-718X	S55	Obsolete	No replacement
5-7202X	7C	Superseded	5-7115X
5-7206X	7C	Superseded	5-7115X
5-720X	1330/7260	Superseded	5-3246X
5-721X	1310/Toy	Obsolete	No replacement
5-722X	1410	Superseded	5-1410X
5-723X	1350	Superseded	5-1350X
5-724X	1350 Alum	Superseded	5-3615X
5-726X	1410	Superseded	5-3616X
5-727X	1810/9C	Superseded	5-324X
5-732X	SPL55WJ	Superseded	SPL55-3X
5-733X	SPL55	Superseded	SPL55-4X
5-737X	S44	Superseded	5-795X
5-739X	1410	Superseded	5-1410-1X
5-742X	1330	Superseded	5-1330X
5-7436X	1330/S44	Superseded	5-793X
5-744X	1330	Superseded	5-793X
5-745X	1330	Superseded	5-793X
5-749X	1330/7290	Superseded	5-7437X
5-74X	1310	Superseded	5-260X
5-754X	1330	Superseded	5-811X
5-755X	SPL6	Obsolete	No replacement
5-761X	1410/4C	Superseded	5-345X
5-778X	1550	Superseded	SPL70-1X
5-781X	2C	Obsolete	No replacement
5-785X	1310	Superseded	5-1310X
5-786X	1310	Superseded	5-3613X
5-787X	1310SPEC	Superseded	5-7439X
5-790X	1330	Superseded	5-1330X
5-791X	1330 Alum	Superseded	5-3614X
5-792X	1330-F	Superseded	5-7438X
5-794X	1330/S44	Superseded	5-793X
5-796X	1330/7290	Superseded	5-7437X
5-797X	SPL25	Superseded	5-7437X
5-799X	1350	Superseded	5-1350X
5-800X	1350 Alum	Superseded	5-3615X
5-801X	1410	Superseded	5-1410X
5-802X	1410	Superseded	5-3616X

Obsolete Part #	Series/Model	Status	Replaced By (Where Applicable)
5-803X	1480	Superseded	SPL55X
5-804X	1480	Superseded	SPL55-1X
5-806X	1480WJ	Superseded	SPL55-3X
5-807X	1480WJ	Superseded	SPL55-4X
5-808X	1550	Superseded	SPL70X
5-809X	1550	Superseded	SPL70-1X
5-8105X	8C	Superseded	5-8111X
5-810X	1310	Superseded	5-1310-1X
5-812X	1330	Superseded	5-1330-1X
5-8200X	8C	Obsolete	No replacement
5-8202X	8C	Obsolete	No replacement
5-86X	1350	Superseded	5-1350X
5-88X	1480	Superseded	SPL55-3X
5-9000X	9C	Superseded	5-9122X
5-9001X	9C	Superseded	5-9111X
5-9002X	9C	Superseded	5-9112X
5C-1X	5C	Superseded	5-5111X
600001051	6C	Obsolete	No replacement
6C-1X	6C	Superseded	5-6111X
6C-2X	1550/6C	Obsolete	No replacement
6C-9X	6C	Obsolete	No replacement
7.687.65.06.00.210	SPL350	Superseded	SPL350X
7.687.65.06.00.220	SPL350	Superseded	SPL350SFX
7C-1X	7C	Superseded	5-7111X
7CX	7C	Superseded	5-7211X
SPL100X	SPL100	Superseded	SPL100-1X
SPL170-1X	SPL170	Superseded	SPL170-4X
SPL170-3X	SPL170	Superseded	SPL170-4X
SPL170X	SPL170	Superseded	SPL170-4X
SPL22-1X	SPL22	Superseded	5-1310X
SPL22-2X	SPL22	Superseded	5-3613X
SPL22-3X	SPL22	Superseded	5-7439X
SPL22-4X	SPL22	Superseded	5-788X
SPL22-6X	SPL22	Superseded	5-1310X
SPL22-7X	SPL22	Superseded	5-1310-1X
SPL22-8X	7260	Superseded	5-789X
SPL250-1X	SPL250	Superseded	SPL250-3X
SPL250X	SPL250	Superseded	SPL250-3X
SPL25-10X	SPL25	Superseded	5-1330-1X
SPL25-1X	SPL25	Superseded	5-1330X
SPL25-2X	SPL25	Superseded	5-3614X
SPL25-3X	SPL25	Superseded	5-7438X
SPL25-4X	SPL25	Superseded	5-793X
SPL25-5X	SPL25	Superseded	5-793X
SPL25-6X	1330/S44	Superseded	5-795X
SPL25-7X	SPL25	Superseded	5-7437X
SPL25-8X	SPL25	Superseded	5-7437X
SPL25-9X	SPL25	Superseded	5-811X
SPL30-1X	SPL30	Superseded	5-1350X
SPL30-2X	SPL30	Superseded	5-3615X
SPL30-3X	SPL30	Obsolete	No replacement
SPL30-4X	SPL30	Obsolete	No replacement
SPL36-1X	SPL36	Superseded	5-1410X
SPL36-2X	SPL36	Superseded	5-3616X
SPL36-3X	SPL36	Superseded	5-1410X
SPL36-4X	SPL36	Obsolete	No replacement
SPL36-6X	SPL36	Superseded	5-1410X
SPL55-2X	SPL55	Obsolete	No replacement
SPL55-5X	SPL55	Superseded	SPL55-1X
SPL70-3X	SPL70WJ	Superseded	SPL70-4X
SPL90-1X	SPL90	Superseded	SPL100-1X
SPL90X	SPL90	Superseded	SPL100-1X